



INSTALLATION INSTRUCTIONS

Accessory
SOFT CARGO ORGANIZER
P/N 08U20-S9V-101

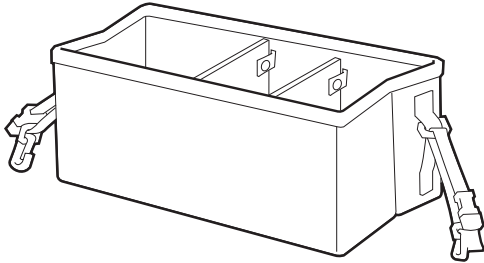
Application
2016 PILOT

Publications No.
VERSION 1
Issue Date
JUN 2015

Put this information in the glove box with the vehicle owner's manual.

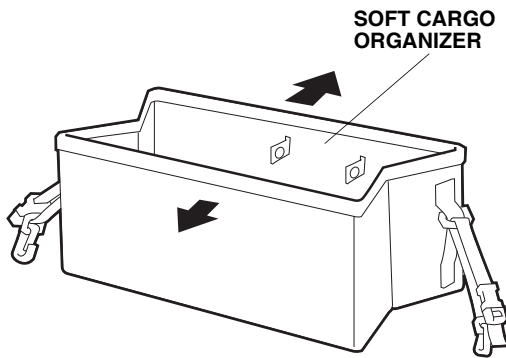
PARTS LIST

Soft cargo organizer

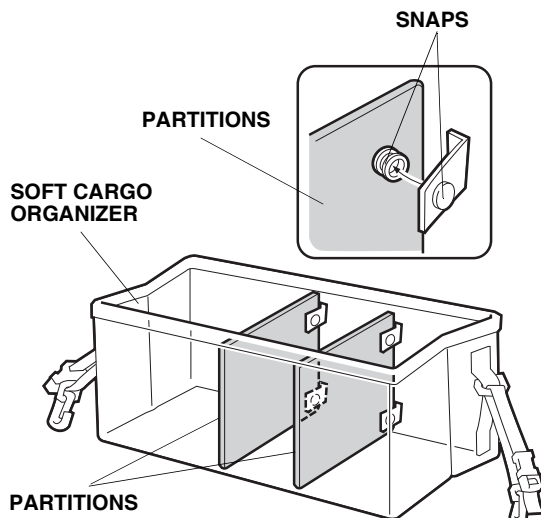


INSTALLATION

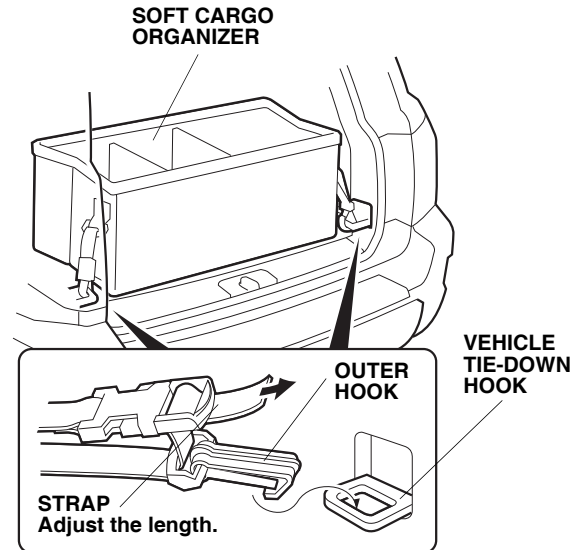
1. Open the soft cargo organizer.



2. Attach the two partitions to the soft cargo organizer by connecting the inner snaps.



3. Place the organizer in the cargo area of the vehicle, and attach the outer hooks on the organizer to the vehicle tie-down hooks.



4. Adjust the length of the straps as needed to secure the organizer to the tie-down hooks.

NOTE: Before storing articles that have sharp edges or corners, wrap them in paper or a blanket so their sharp edges or corners will not damage the soft cargo organizer.