



# INSTALLATION INSTRUCTIONS

Accessory  
**TAILGATE CHROME TRIM**  
P/N 08F52-TG7-100

Application  
**2016 PILOT**

Publications No.  
**VERSION 1**  
Issue Date  
**JUN 2015**

## PARTS LIST

Tailgate chrome trim



Alcohol swab



## TOOLS AND SUPPLIES REQUIRED

Masking tape

*The following tool is available through the Honda Tool and Equipment Program. On the iN, click on: Service > Service Bay > Tool and Equipment Program, then enter the number under "Search". Or, call 888-424-6857.*

- Rubber Roller (T/N MHLE54D)

### **Illustration of the Tailgate Chrome Trim on the Vehicle**



## INSTALLATION

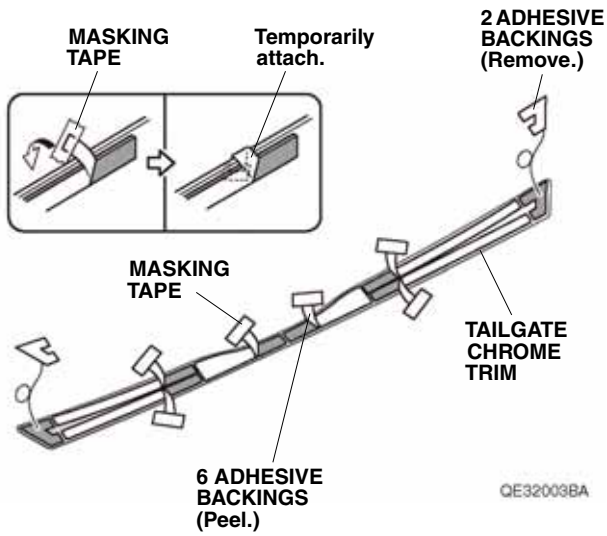
**Customer Information:** The information in this installation instruction is intended for use only by skilled technicians who have the proper tools, equipment, and training to correctly and safely add equipment to your vehicle. These procedures should not be attempted by "do-it-yourselfers."

### NOTE:

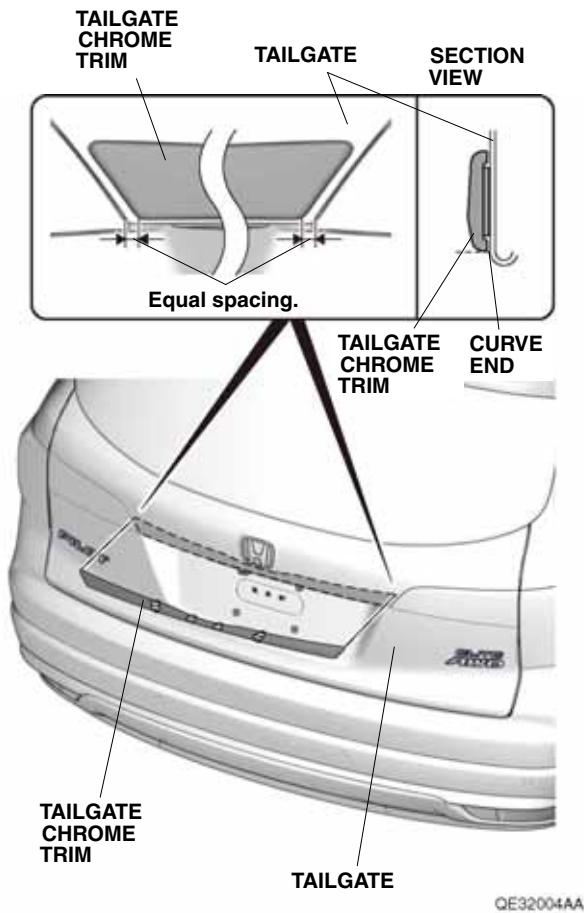
- Do not damage the paint finish.
  - This kit should be installed only if the ambient air temperature is 15°C (60°F) or above.
  - To allow the adhesive to cure, do not wash the vehicle for 24 hours. Please advise the customer.
1. Using one alcohol swab, thoroughly clean the area where the tailgate chrome trim will attach.



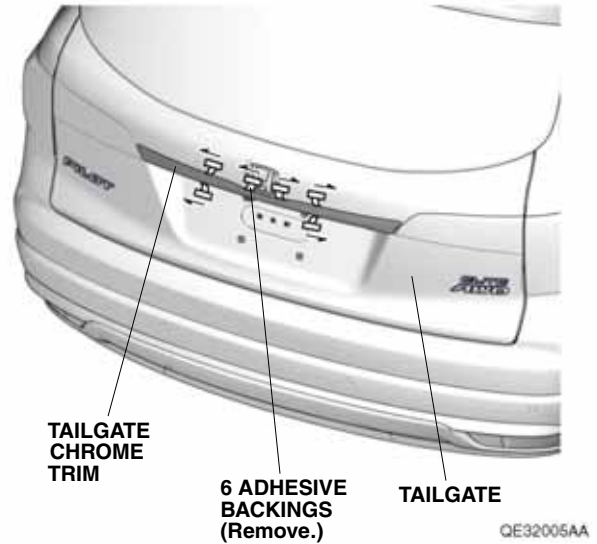
2. Peel back the adhesive backings, and tape them to the front surface of the tailgate chrome trim with masking tape. Remove the small piece of adhesive backings.



3. Align and attach the tailgate chrome trim as shown.



4. While applying light pressure against the tailgate chrome trim, carefully remove the taped adhesive backings.



5. Using a rubber roller, apply firm pressure against the tailgate chrome trim and roll from one end to the other. Apply firm pressure especially at the ends.

