

HONDA INSTALLATION INSTRUCTIONS

Accessory
CARGO COVER

Application
2015 FIT

Publications No.
All 51309
Issue Date
APRIL 2014

PARTS LIST

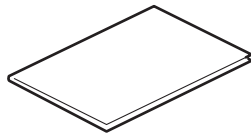
Cargo cover



2 Clips

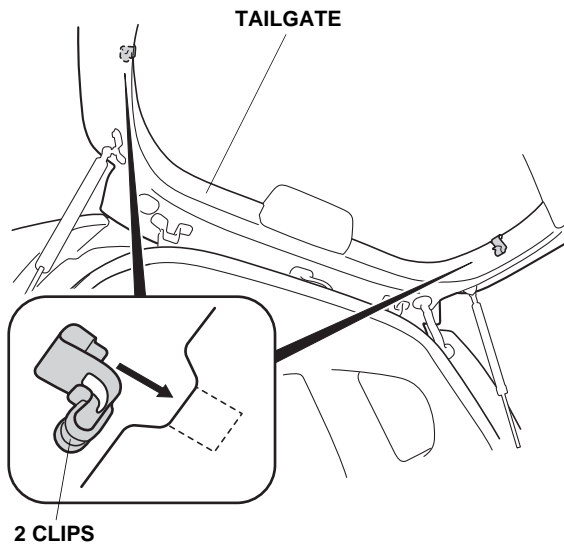


Accessory User's Information Manual

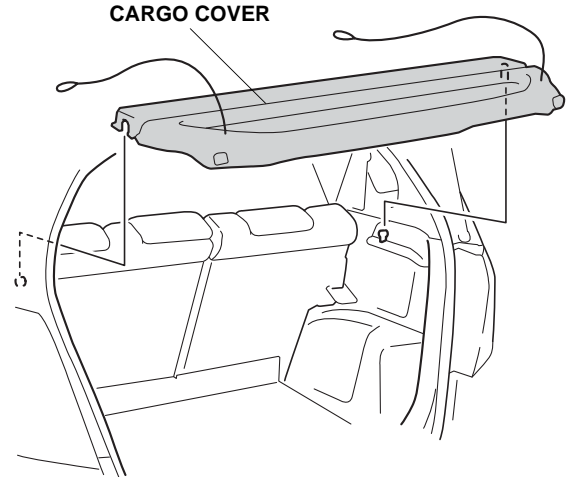


INSTALLATION

1. Install the two clips to the inside of the tailgate frame.



2. Install the cargo cover in the cargo area.



3. Hook the cords to the clips on the tailgate.

