



# INSTALLATION INSTRUCTIONS

Accessory  
**REAR BUMPER APPLIQUE**  
P/N 08P48-SZT-100

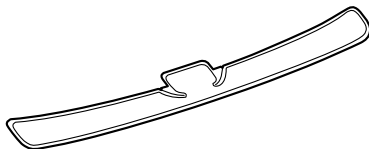
Application  
**CR-Z**

Publications No.  
**All 43567**

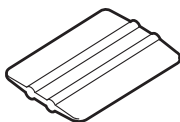
Issue Date  
**AUG 2010**

## PARTS LIST

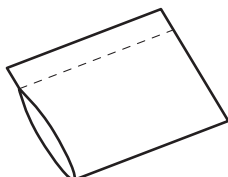
Rear Bumper Applique



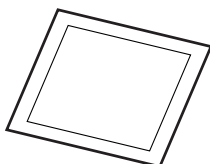
Applicator



Soft sleeve



Alcohol wipe



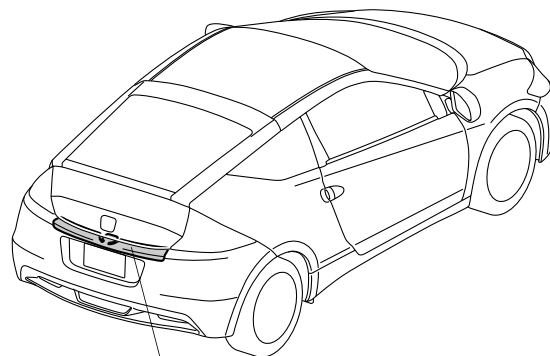
## TOOLS AND SUPPLIES REQUIRED

Shop towel

Spray bottle

3M Protective tape application solution

## Illustration of the Rear Bumper Applique Installed on the Vehicle



**REAR BUMPER  
APPLIQUE**

## INSTALLATION

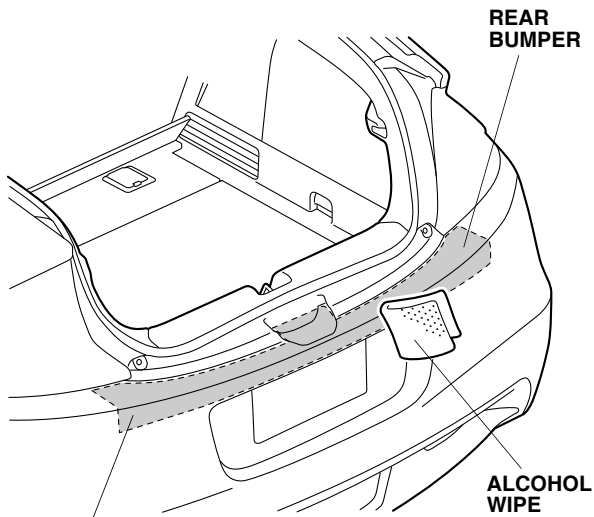
**Customer Information:** The information in this installation instruction is intended for use only by skilled technicians who have the proper tools, equipment, and training to correctly and safely add equipment to your vehicle. These procedures should not be attempted by "do-it-yourselfers."

### NOTE:

- Do not damage the vehicle body paint finish.
- This kit should only be installed if the ambient air temperature is 15°C (60°F) or above.
- To allow the adhesive to cure, do not wash the vehicle for 24 hours. Please advise the customer.
- Wash your hands thoroughly with soap and water when handling the rear bumper applique.

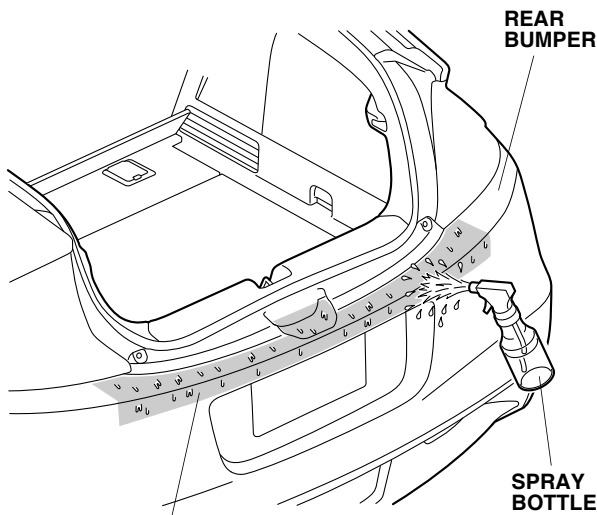
## Installing the Rear Bumper Applique

1. Open the hatch. Using the alcohol wipe, thoroughly clean the bumper where the rear bumper applique will attach.



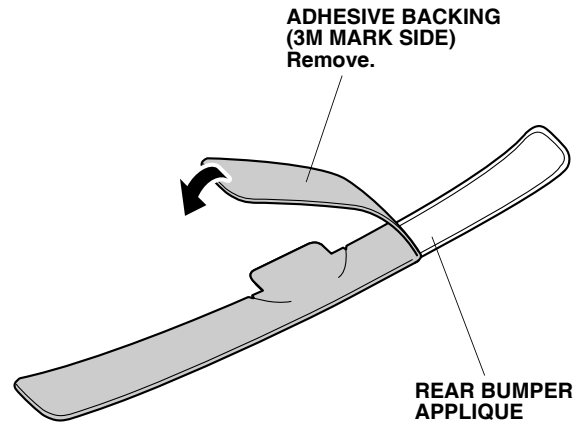
Clean with an alcohol swab.

2. Using a spray bottle with 3M protective tape application solution, spray the area where the rear bumper applique will attach.

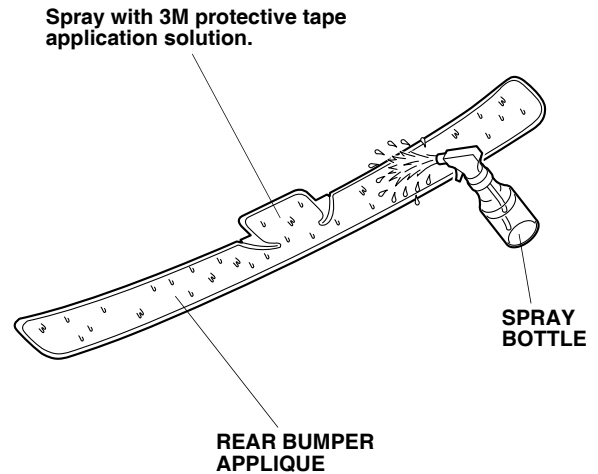


Spray with 3M protective tape application solution.

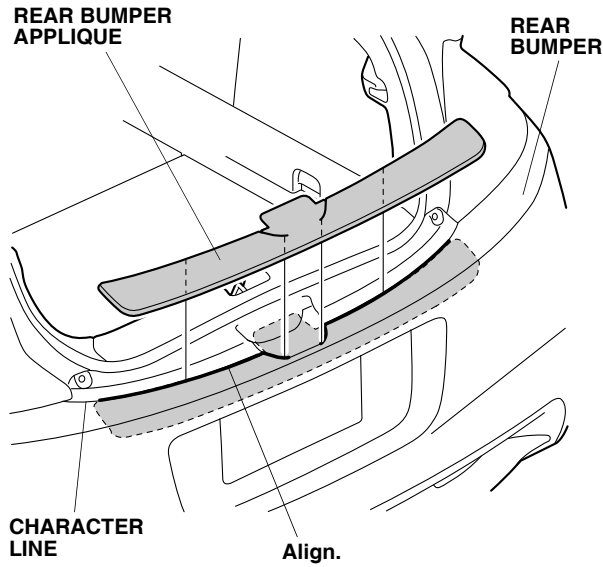
3. Remove the adhesive backing (the side marked 3M) from the rear bumper applique.



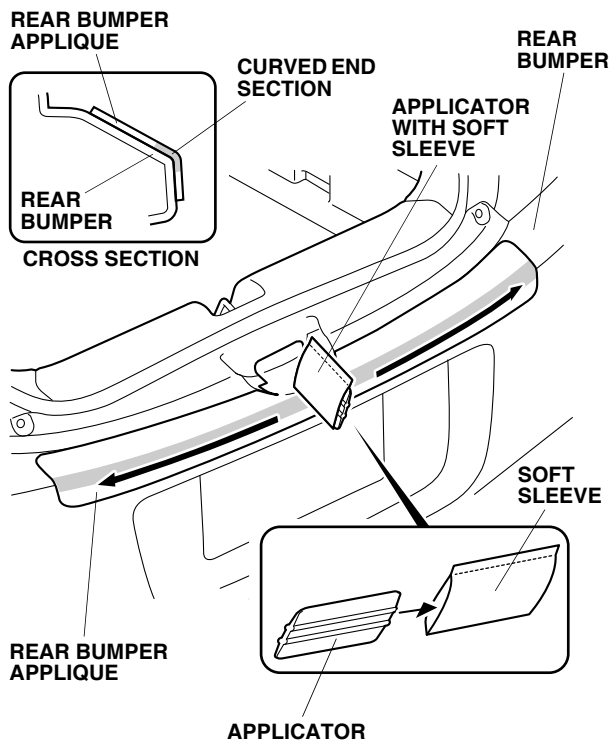
4. Using a spray bottle with 3M protective tape application solution, spray the rear bumper applique as shown.



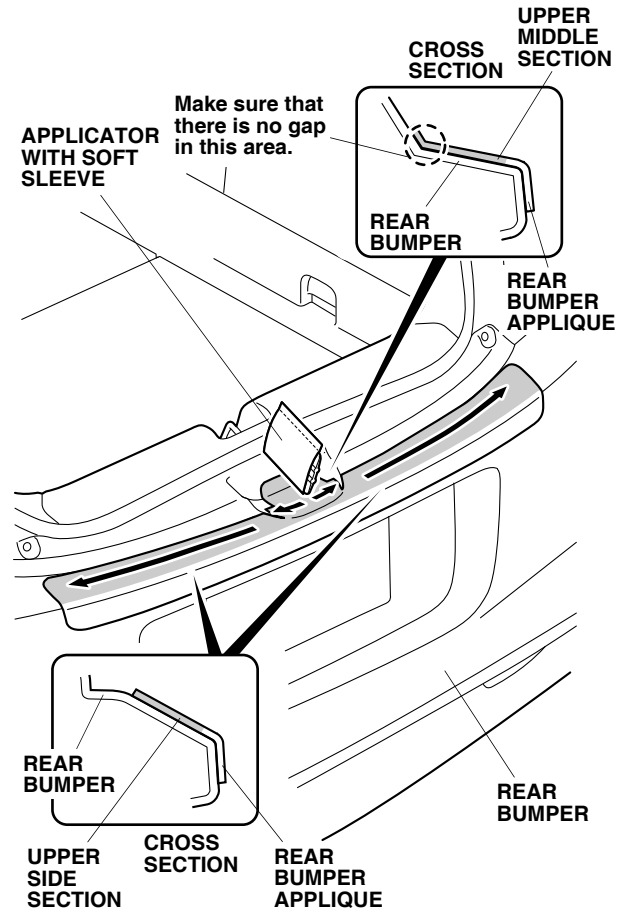
- Align the end of the rear bumper applique to the character line, and attach it to the rear bumper.



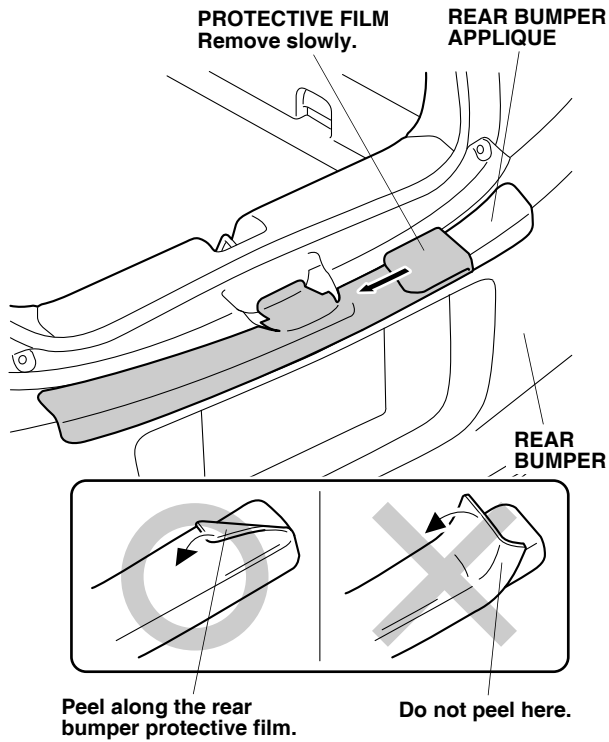
- Insert the applicator into the soft sleeve. Starting from the middle and working outward, use the soft sleeve to smooth out the curved end section of the rear bumper applique against the rear bumper. Move the applicator with soft sleeve in one direction only. Do not smooth the upper and lower sections at this time. If you see an air bubble, stop and gently peel up that section to work out the bubble. Work slowly and keep pressure against the rear bumper applique.



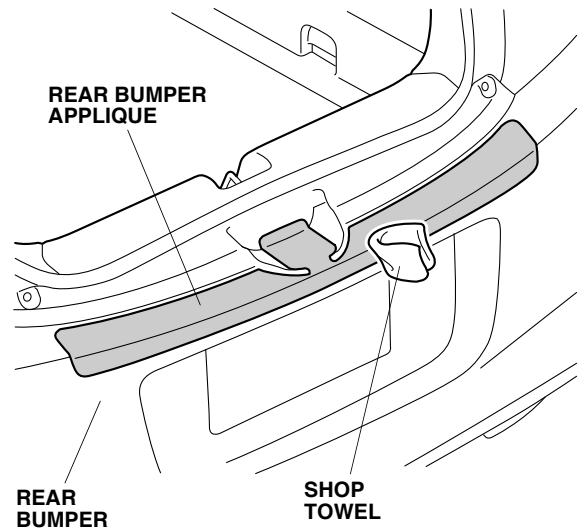
- Using the applicator with soft sleeve, adhere the upper middle section and the upper side section of the rear bumper applique the same way.



8. Slowly and carefully remove the protective film from the rear bumper applique.  
 NOTE: Do not peel up on the protective film.



10. Using a shop towel, wipe the excess 3M protective tape application solution from the rear bumper applique. Allow the rear bumper applique to dry thoroughly.



9. Once the flat surface is completely smooth with no bubbles, use the applicator with soft sleeve to apply the rear bumper applique to the rounded rear edge of the bumper.

