



# INSTALLATION INSTRUCTIONS

Accessory  
DOOR EDGE GUARDS  
P/N 08P20-TLA-100

Application  
2017 CR-V

Publications No.  
VERSION 1

Issue Date  
DEC 2016

## PARTS LIST

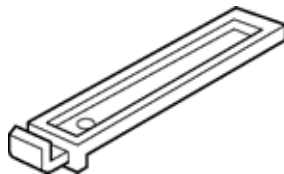
Right front door edge guard

Left front door edge guard

Right rear door edge guard

Left rear door edge guard

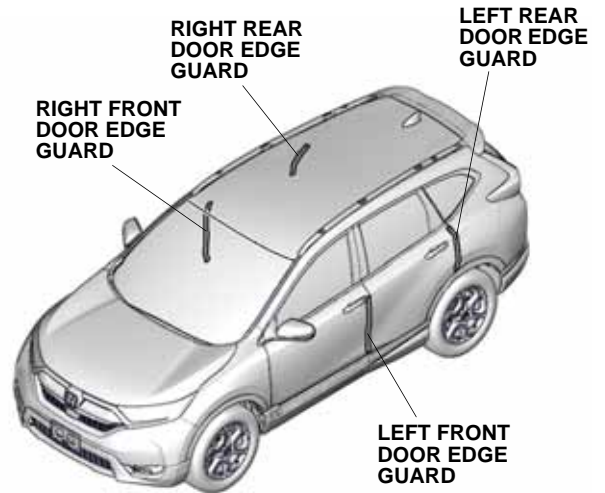
Seam sealant cutting tool



## TOOLS AND SUPPLIES REQUIRED

Rubber mallet  
Felt-tip pen  
Touch-up paint  
Ruler

## Illustration of the Door Edge Guards on the Vehicle



QF21601BN

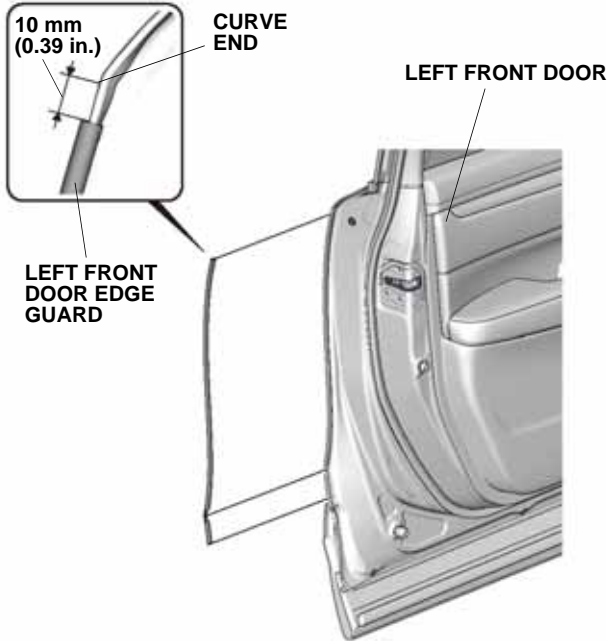
## INSTALLATION

**Customer Information:** The information in this installation instruction is intended for use only by skilled technicians who have the proper tools, equipment, and training to correctly and safely add equipment to your vehicle. These procedures should not be attempted by “do-it-yourselfers.”

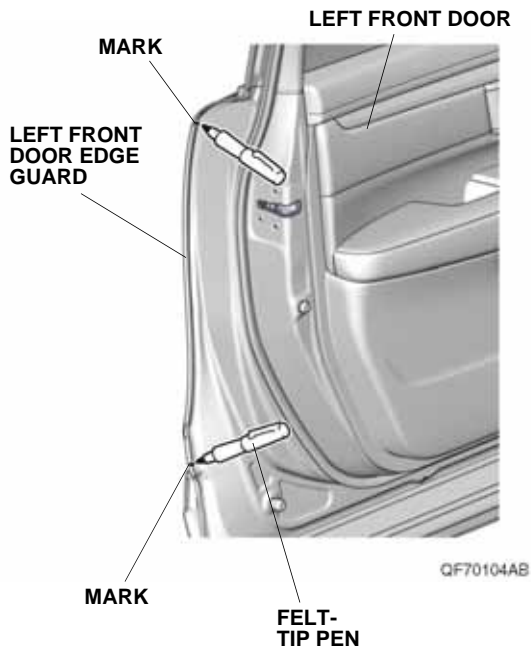
### NOTE:

- If you are also installing body side moldings (sold separately), install them after you install the door edge guards.
- Be careful not to damage the body paint finish.
- Clean the areas to be covered.
- Identify each door edge guard by holding it up to the door and matching its contour with the door edge.

1. Gently place the left front door edge guard on the left front door. Line up the left front door edge guard to the left front door as shown.



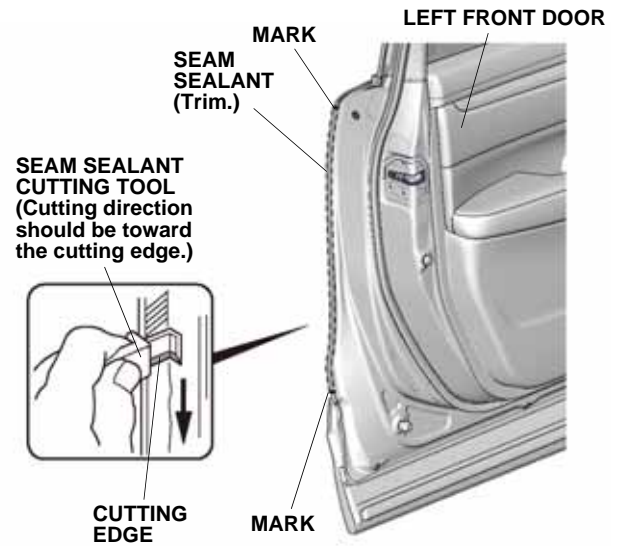
2. Mark the sealant at the top and bottom edges of the left front door edge guard.



3. Remove the left front door edge guard.

4. Position the cutting edge of the seam sealant cutting tool against the door edge, and carefully trim the seam sealant from mark to mark.

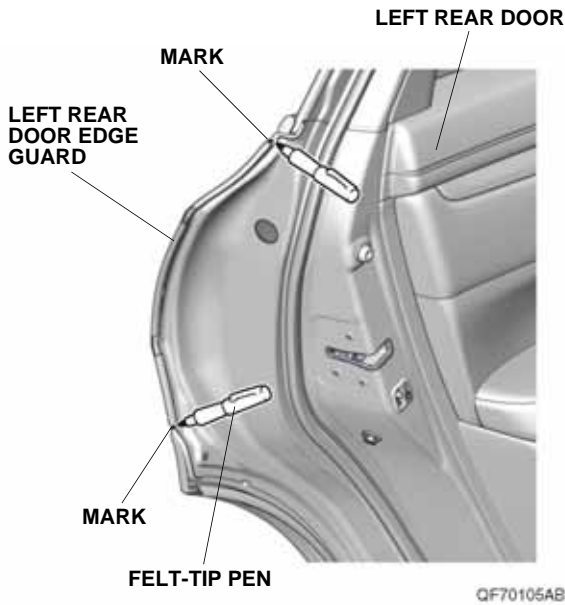
NOTE: The cutting tool cuts in only one direction.



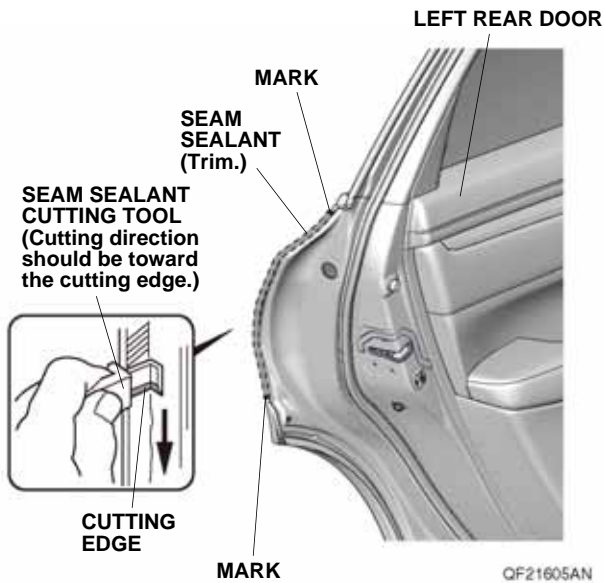
5. Apply touch-up paint to the cut seam sealant area, and let it dry thoroughly.
6. Repeat steps 1 through 5 on the right front door.
7. Gently place the left rear door edge guard on the left rear door. Line up the left rear door edge guard to the left rear door as shown.



8. Mark the sealant at the top and bottom edges of the left rear door edge guard.

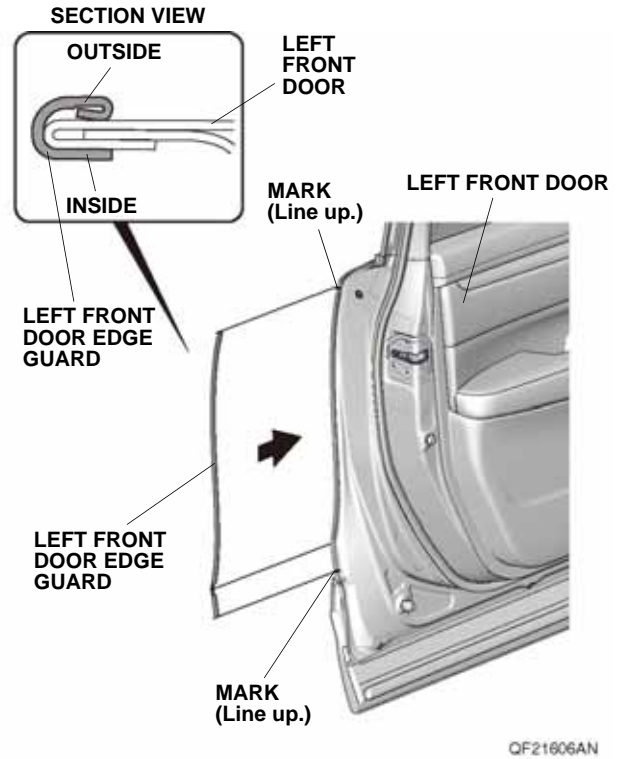


9. Remove the left rear door edge guard.
10. Position the cutting edge of the seam sealant cutting tool against the door edge, and carefully trim the seam sealant from mark to mark.  
NOTE: The cutting tool cuts in only one direction.

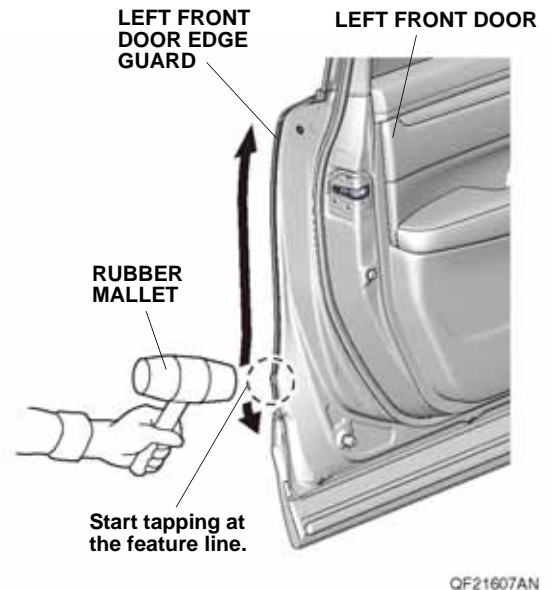


11. Apply touch-up paint to the cut seam sealant area, and let it dry thoroughly.
12. Repeat steps 7 through 11 on the right rear door.

13. Position the left front door edge guard on the left front door edge with the marks made in step 2.

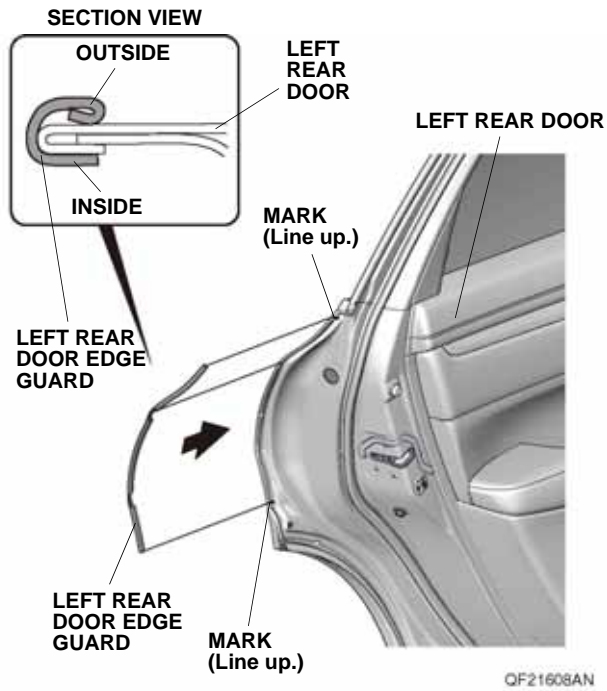


14. Starting at the feature line, use a rubber mallet to tap the left front door edge guard into position with a series of light taps, then work up and down. Make sure the position of the left front door edge guard is correct.  
NOTE: Once in place, do not remove, reposition, or reinstall the left front door edge guard or it will not hold securely.

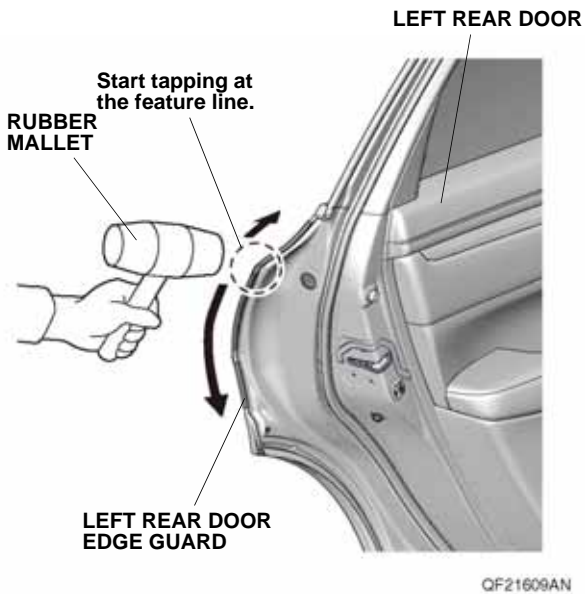


15. Repeat steps 13 and 14 on the right front door.

16. Position the left rear door edge guard on the left rear door edge with the marks made in step 8.



17. Starting at the feature line, use a rubber mallet to tap the left rear door edge guard into position with a series of light taps, then work up and down. Make sure the position of the left rear door edge guard is correct.
- NOTE: Once in place, do not remove, reposition, or reinstall the left rear door edge guard or it will not hold securely.



18. Repeat steps 16 and 17 on the right rear door.