

**HONDA**  
**INSTALLATION**  
**INSTRUCTIONS**

Accessory  
**TRUNK NET**  
 0

Application  
**2018 CLARITY**  
 (All Clarity Vehicles)

Publications No.  
**VERSION 1**  
 Issue Date  
**NOV 2017**

**PARTS LIST**

Trunk net



4 Anchors



4 Bolts



4 Rivet nuts



2 Flange nuts



2 Large washers



6 Small washers



2 Trunk hinge cushions



Accessory User's Information Manual



**TOOLS AND SUPPLIES REQUIRED**

19 mm Open end wrench

Ruler

Felt-tip pen

Tape

Drill

3 mm and 10 mm Drill bits

Eye protection (face shield, safety goggles, etc.)

Touch-up paint

File

Hex wrench

Masking tape

13 mm Hole saw

*The following tools are available through the Honda Tool and Equipment Program. On the iN, click on Service > Service Bay > Tool and Equipment Program, then enter the number under "Search." Or, call 888-424-6857.*

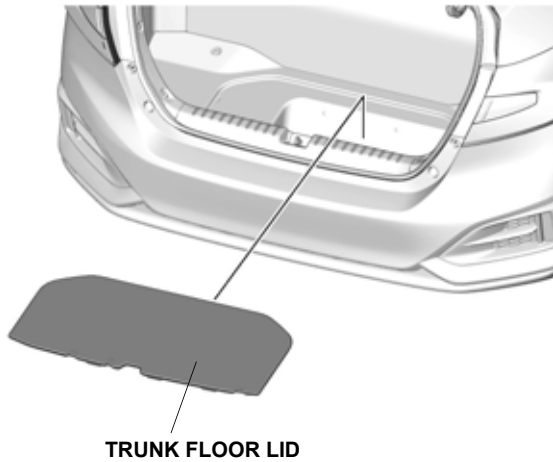
- Rivet Nut Tool, 6 mm (T/N 07AAE-000A100)
- Trim Tool Set (T/N SOJATP2014)

## INSTALLATION

**Customer Information:** The information in this installation instruction is intended for use only by skilled technicians who have the proper tools, equipment, and training to correctly and safely add equipment to your vehicle. These procedures should not be attempted by “do-it-yourselfers.”

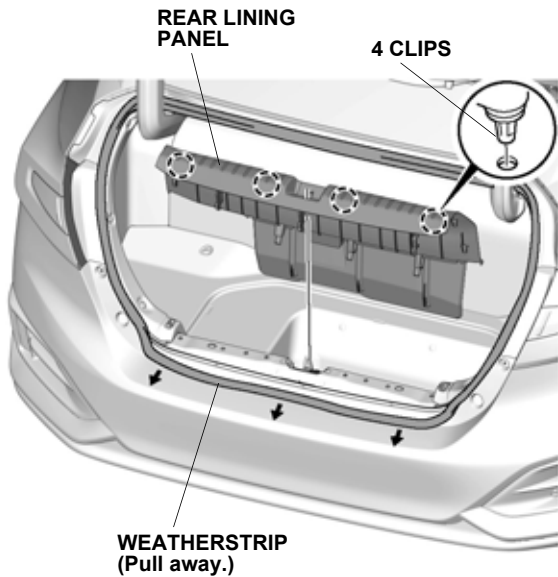
NOTE: Be careful not to damage the body.

1. Open the trunk lid. Remove the trunk floor lid.



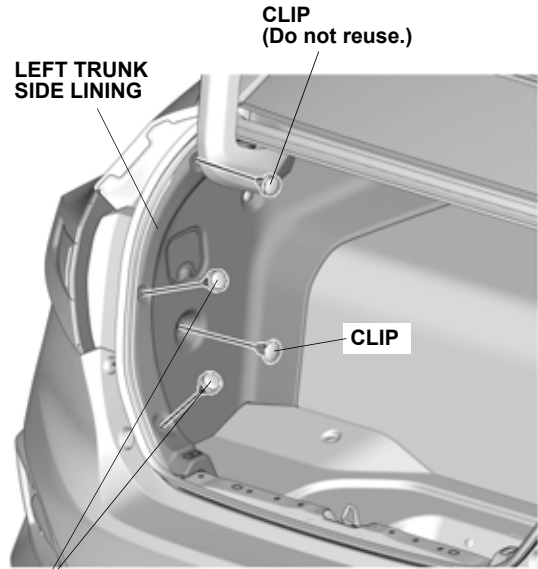
QE01211AT

2. Pull away the weatherstrip as shown. Remove the rear lining panel.



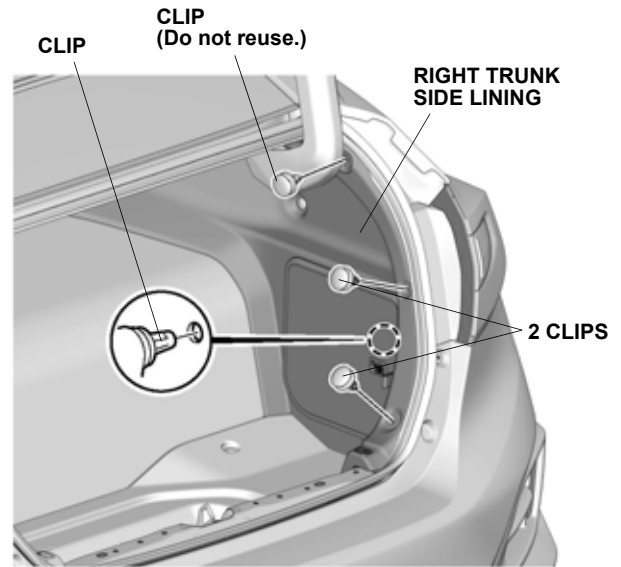
QF20616AJ

3. Remove the four clips from the left trunk side lining.



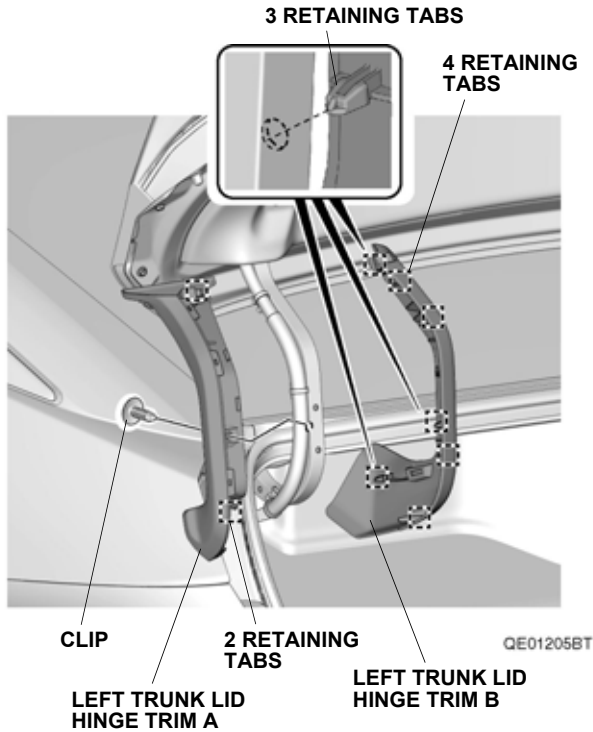
QF20317AJ

4. Remove the three clips from the right trunk side lining, and release the clip.

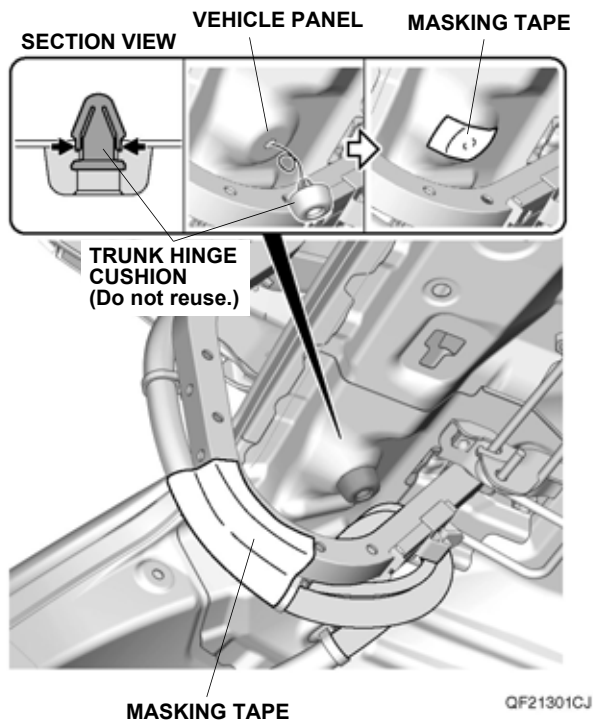


QF20318AJ

- Remove left trunk lid hinge trims A and B.

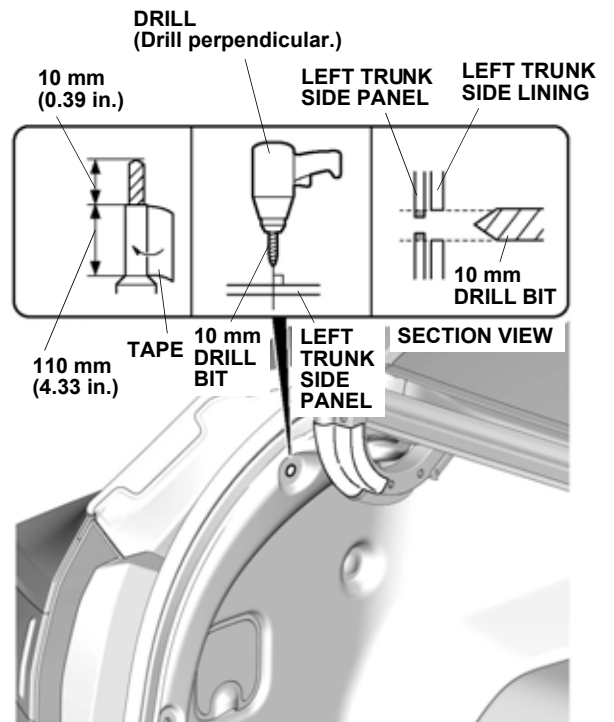


- Remove the trunk hinge cushion from the vehicle panel.

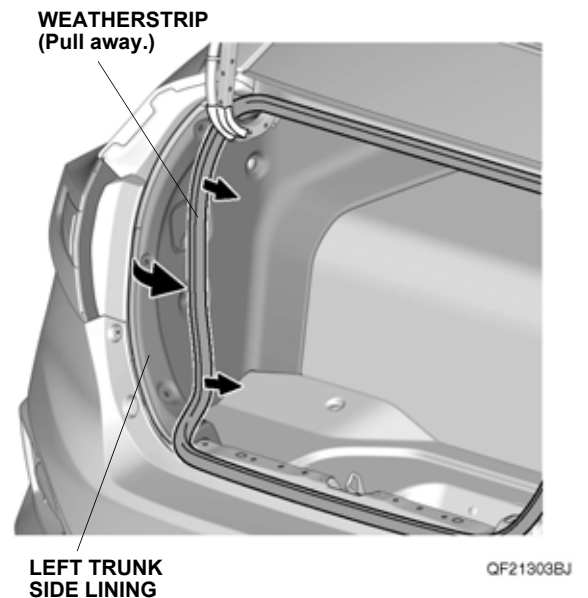


- Attach masking tape as shown.
- Repeat steps 5 through 7 on the other side.

- While wearing eye protection, enlarge the clip hole in the left trunk side panel to 10 mm.

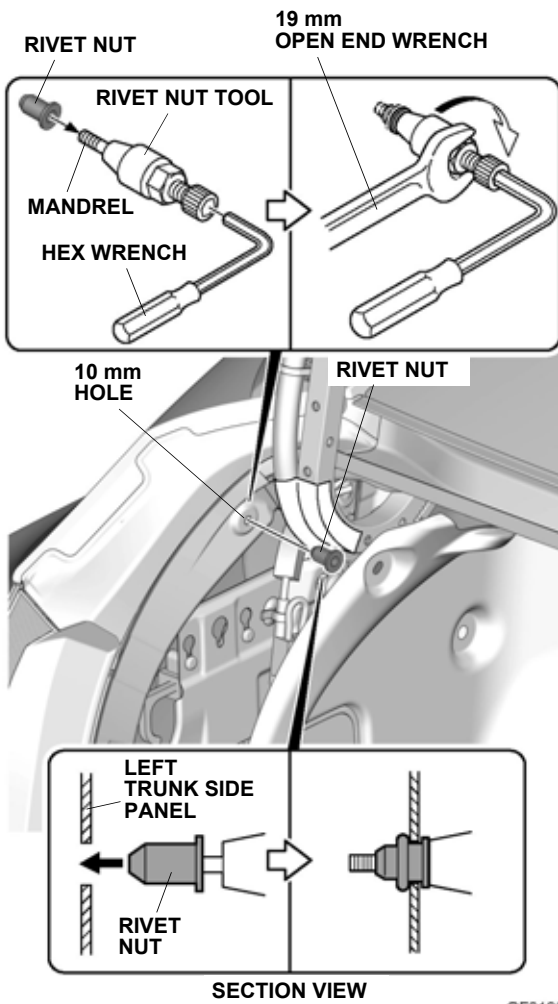


- Pull away the weatherstrip, and pull back the left trunk side lining.



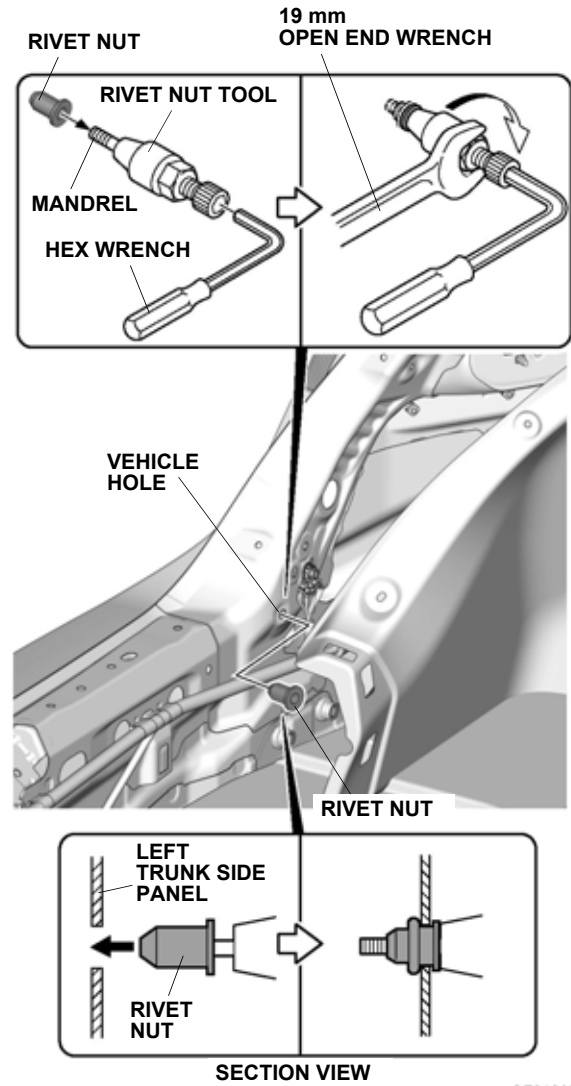
- Remove any burrs, and apply touch-up paint to the hole.

- Install one rivet nut in the 10 mm hole you enlarged in step 9.

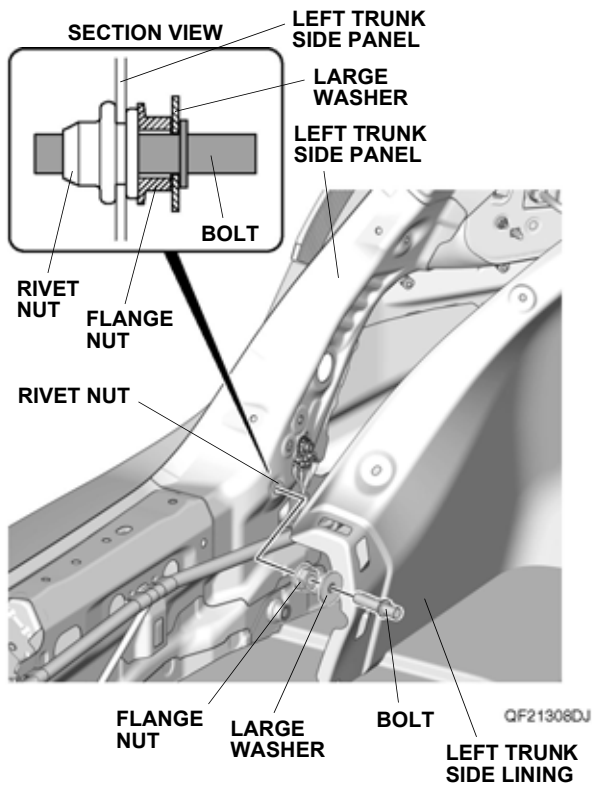


- Screw the rivet nut onto the mandrel of the rivet nut tool as shown.
- Insert the rivet nut into the hole in the left trunk side panel, and install the hex wrench on the rivet nut tool.
- While holding the rivet nut tool with the hex wrench, turn the open end wrench clockwise to install the rivet nut to the left trunk side panel.
- Remove the rivet nut tool from the rivet nut by turning the hex wrench counterclockwise.

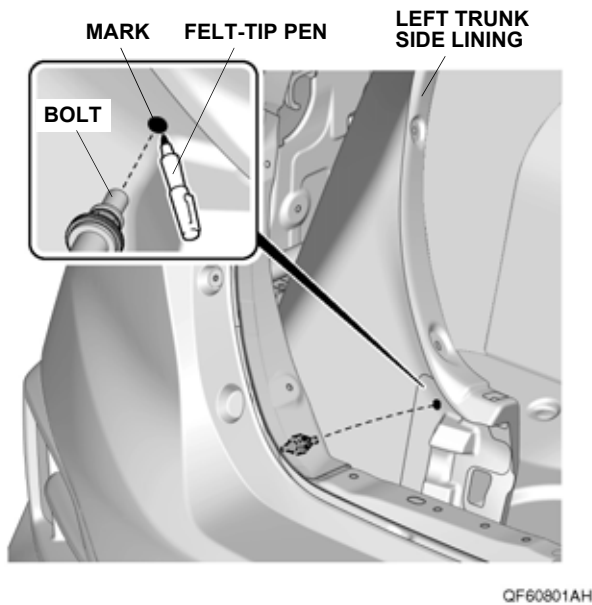
- Repeat steps 13 through 16 to install one rivet nut in the hole in the left trunk side panel.



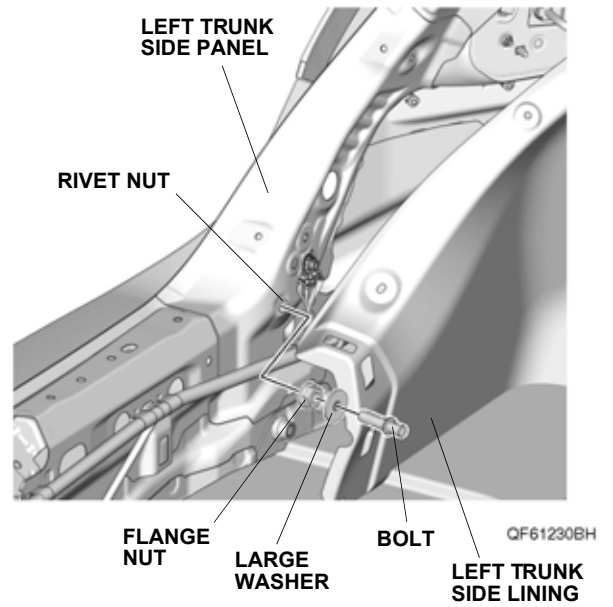
18. Loosely install the bolt, large washer, and flange nut into the rivet nut.



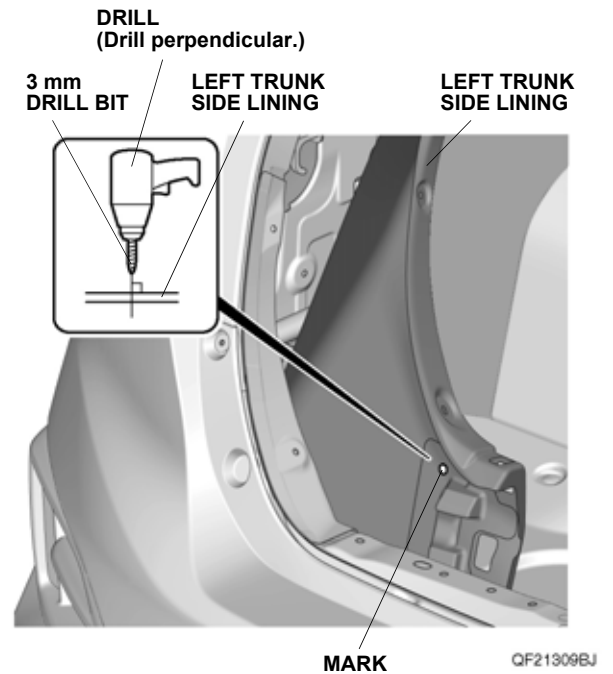
19. Mark the left trunk side lining with a felt-tip pen as shown.



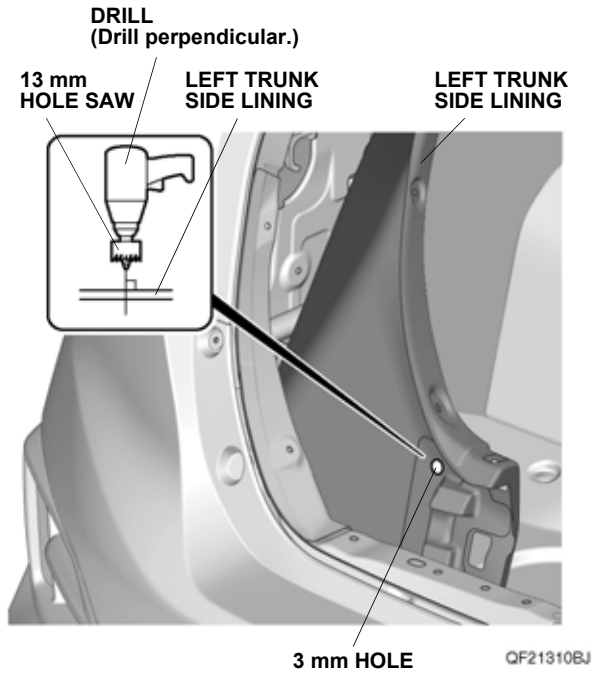
20. Remove the bolt, large washer, and flange nut.



21. While wearing eye protection, drill a 3 mm hole at the mark using a 3 mm drill bit. Be careful not to crease the left trunk side lining.

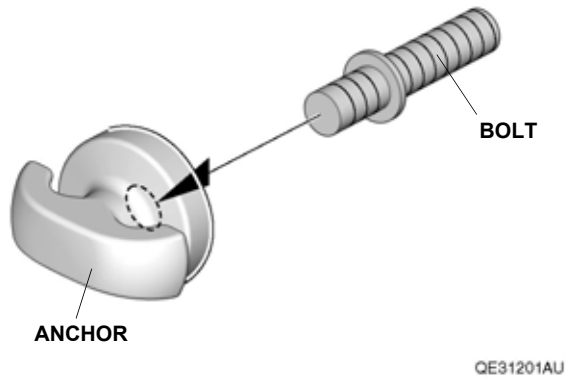


22. Enlarge the 3 mm hole to 13 mm using a 13 mm hole saw. Be careful not to crease the left trunk side lining.

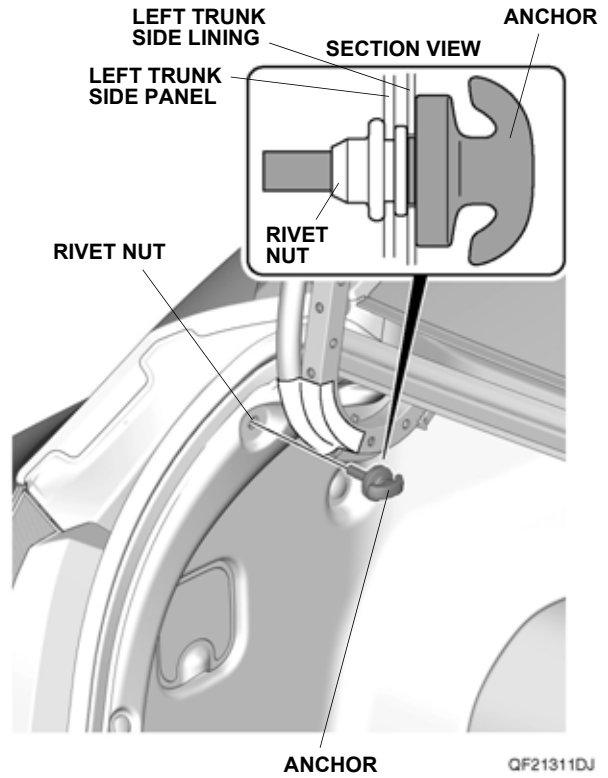


23. Install the left trunk side lining and weatherstrip.

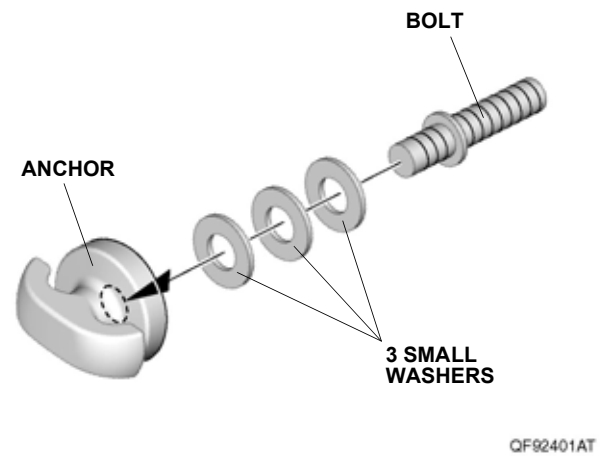
24. Install one bolt into the one anchor.



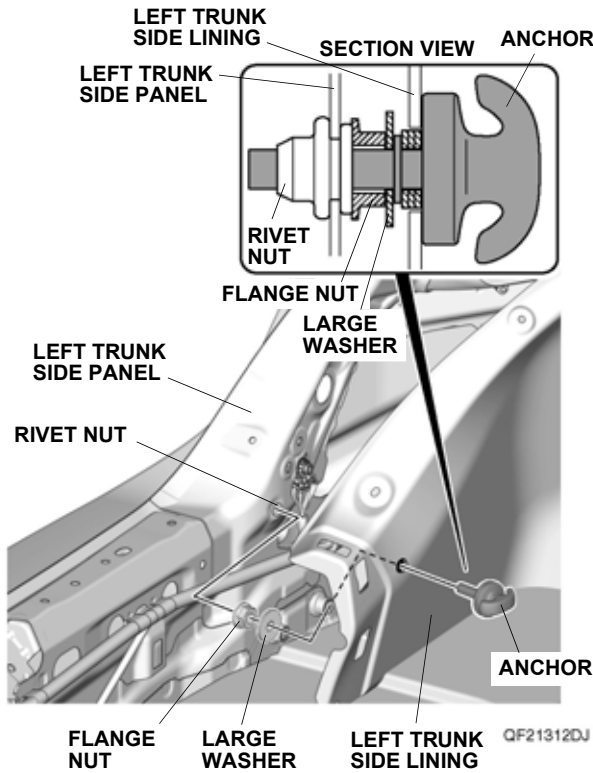
25. Install one anchor into the rivet nut.



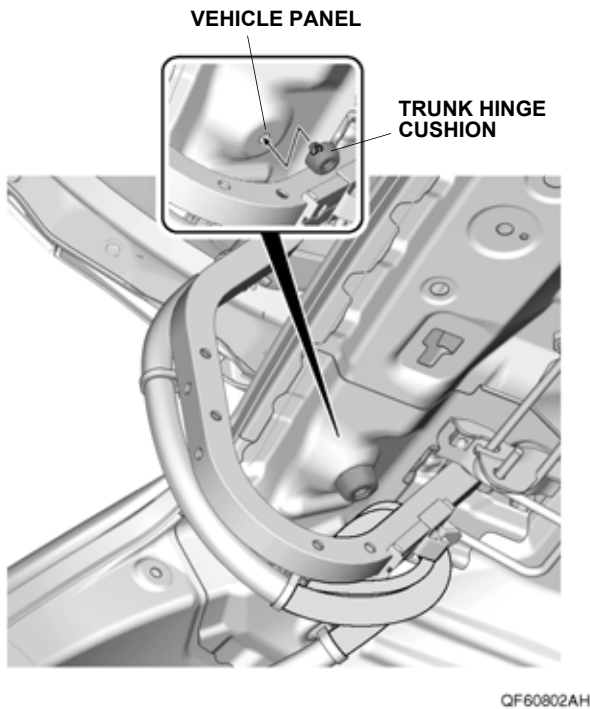
26. Install three small washers and one bolt into one anchor.



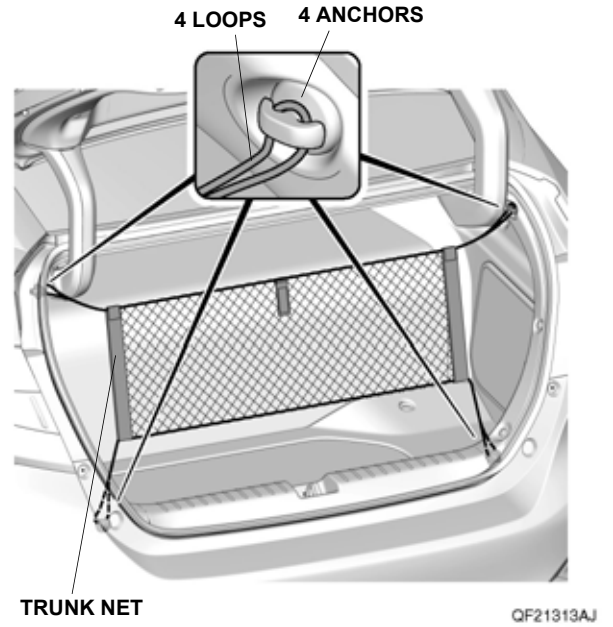
- Install one anchor, large washer, and flange nut into the rivet nut.



- Repeat steps 9 through 27 on the other side.
- Remove the masking tape.



- Install the trunk hinge cushion to the vehicle panel on each side.
- Install all removed parts.
- Install the trunk net to the anchors in the trunk.



**NOTE:**

- To prevent damage to the cargo net or the vehicle, do not store heavy or fragile objects in the cargo net.
- Before storing objects that have sharp edges or corners, wrap them with paper or in a blanket so their sharp edges or corners do not damage the cargo net or vehicle.