



# INSTALLATION INSTRUCTIONS

Accessory  
**WING SPOILER**

Application  
**2016 CIVIC  
4-DOOR**

Publications No.  
**VERSION 1**

**08/15**

## PARTS LIST

Wing spoiler



Left trunk spring (marked yellow)



Right trunk spring (marked red)



Template



4 Flange nuts

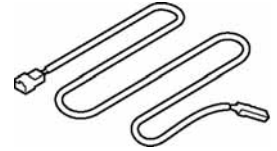


4 Seals



## Spoiler harness

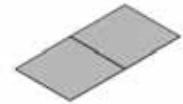
10 Wire ties  
(Some may not be used)



2 Aluminum tapes



2 Alcohol swabs



## TOOLS AND SUPPLIES REQUIRED

Eye protection (face shield, safety goggles, etc.)

Center punch

Drill

File

Touch-up paint

Felt-tip pen

Isopropyl alcohol

Shop towel

Tape

Masking tape

Heavy gloves

Diagonal cutters

Ratchet

10 mm Socket

Torque wrench

10 mm Open end wrench

High-quality paste wax

*The following tools are available through the Honda Tool and Equipment Program. On the iN, click on: Service > Service Bay > Tool and Equipment Program, then enter the number under "Search". Or, call 888-424-6857.*

- Trunk Spring Tool (T/N 07AAF-T2AA200)
- Rotabroach Hole Cutting Kit (T/N BLR11201SO)
- Trim Tool Set (T/N SOJATP2014)

### Illustration of the Wing Spoiler on the Vehicle



QE32701AH

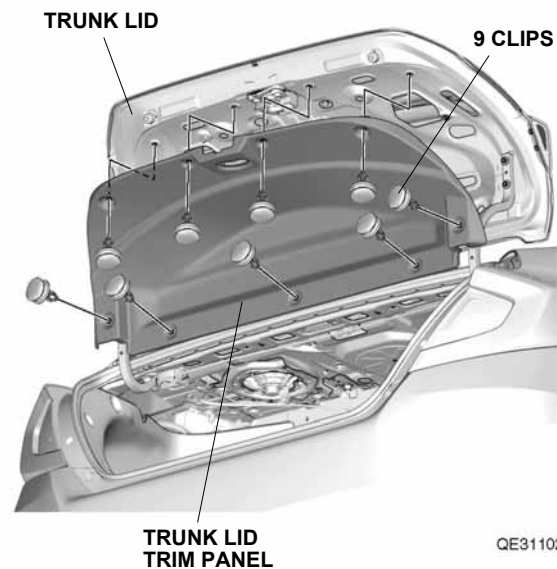
## INSTALLATION

**Customer Information:** The information in this installation instruction is intended for use only by skilled technicians who have the proper tools, equipment, and training to correctly and safely add equipment to your vehicle. These procedures should not be attempted by "do-it-yourselfers."

### NOTE:

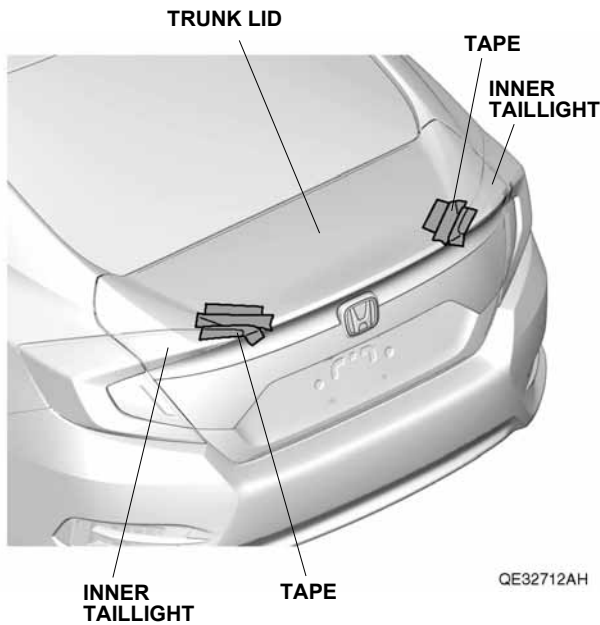
- Be careful not to damage the paint finish.
- This wing spoiler kit should be installed only if the ambient air temperature is 15° C (60° F) or above.
- Clean and wax the areas to be covered with a high-quality paste wax.
- To allow the adhesive to cure, do not wash the vehicle for 24 hours. Please advise the customer.

1. Disconnect the negative cable from the battery.
2. Open the trunk lid. Remove the trunk lid trim panel.

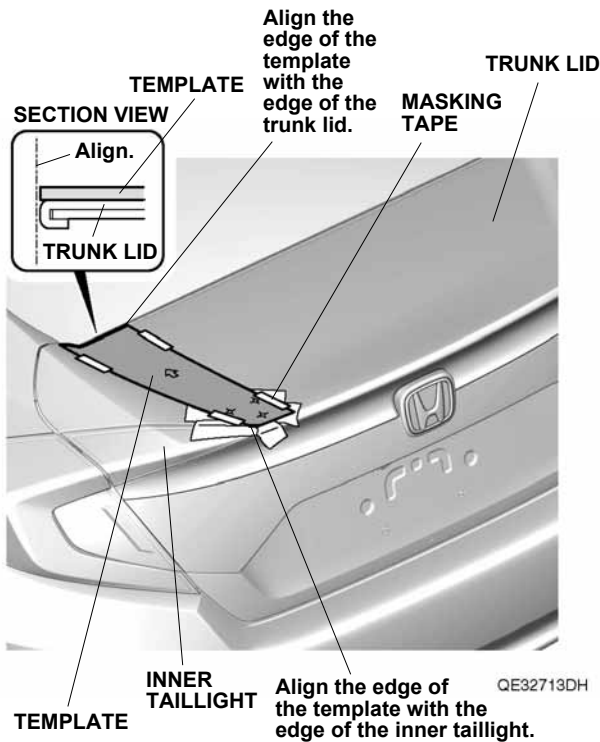


## Installing the Wing Spoiler

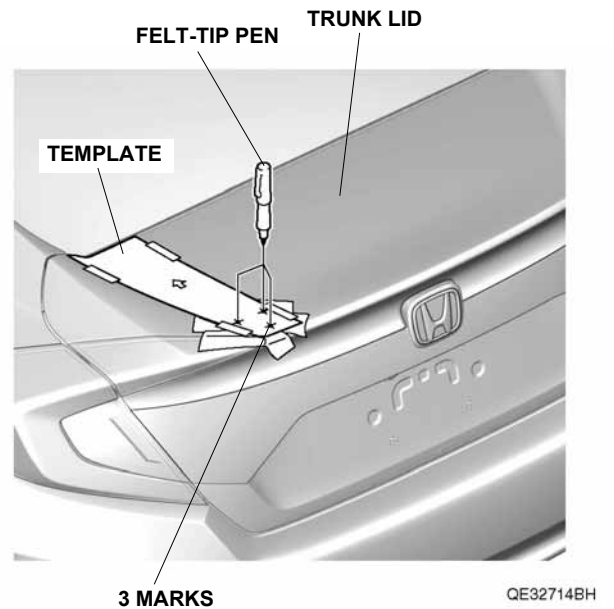
- Close the trunk lid. To prevent metal shavings from falling into the trunk, apply masking tape to the trunk lid and the inner taillight as shown.



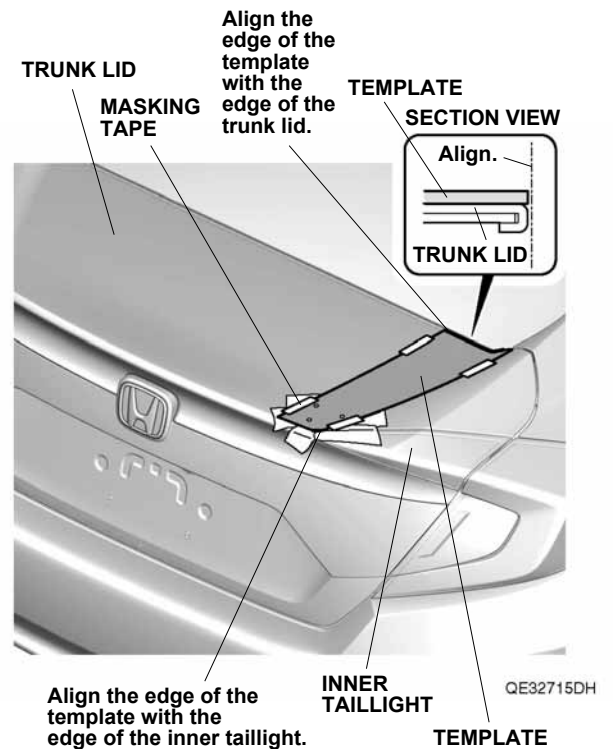
- Place the template on the left side of the trunk lid, and align the template with the trunk lid as shown. Tape the template to the trunk lid with masking tape.



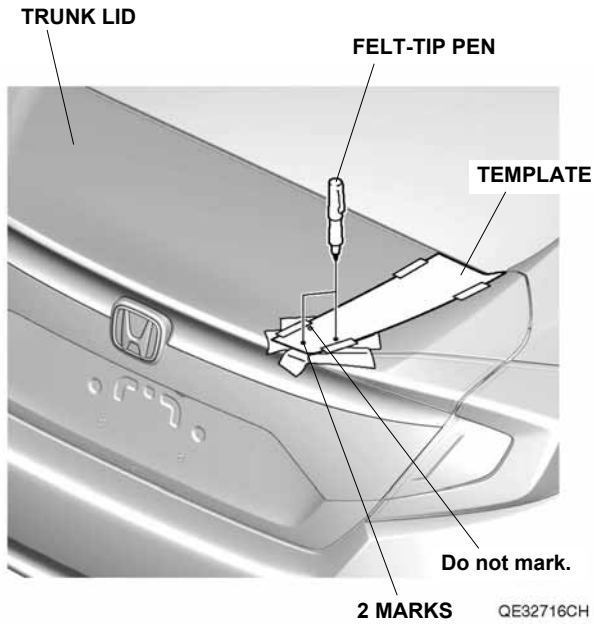
- Using a felt-tip pen, mark the trunk lid through the template at the locations shown.



- Remove the template.
- Turn the template over. Place the template on the right side of the trunk lid, and align the template with the trunk lid as shown. Tape the template to the trunk lid with masking tape.

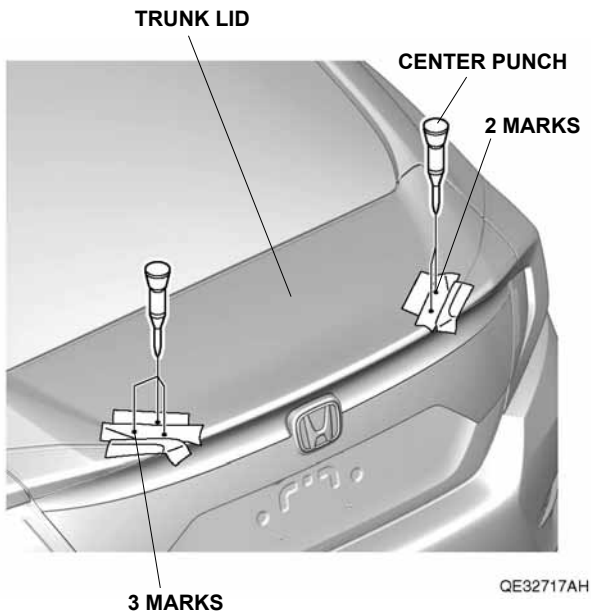


- Using a felt-tip pen, mark the trunk lid through two outboard holes in the template.  
NOTE: Do not mark the inboard hole.

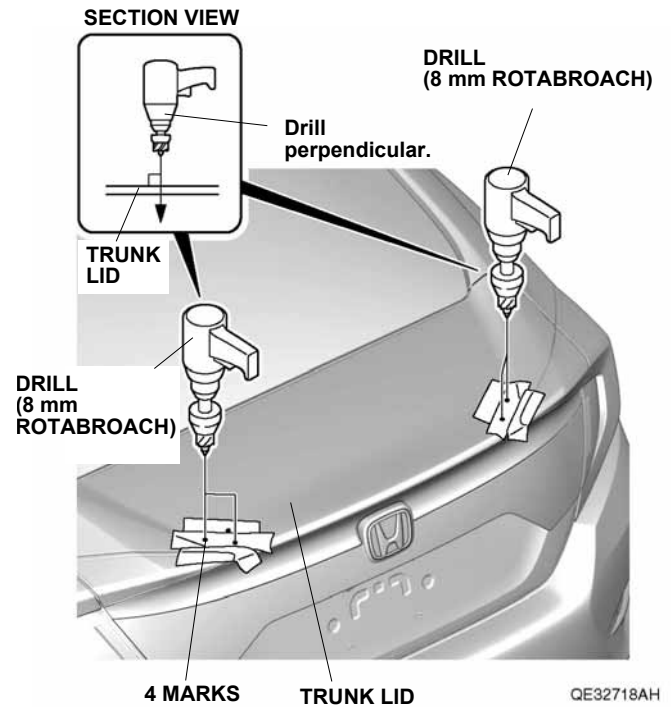


- Remove the template.

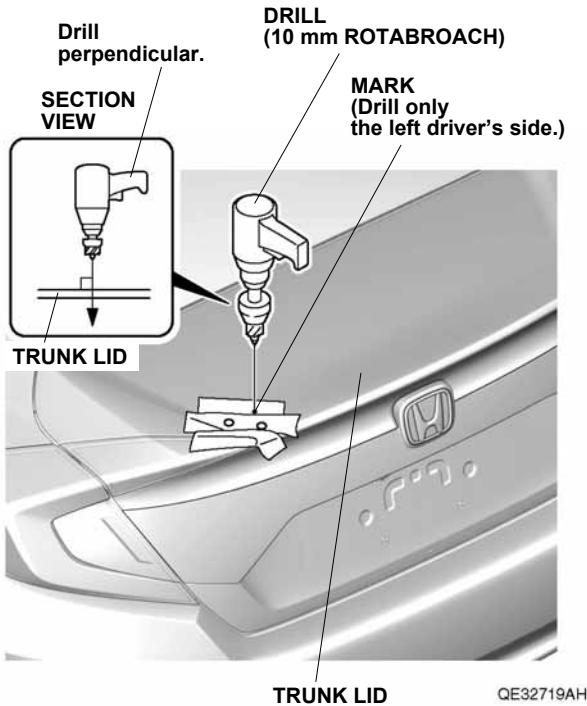
- Using a center punch, punch the center of all five marks.  
NOTE: If using an automatic center punch, set it to the minimum setting.



- While wearing eye protection, use an 8 mm Rotabroach to drill the four outboard center-punched marks. Drill perpendicular to the trunk lid.



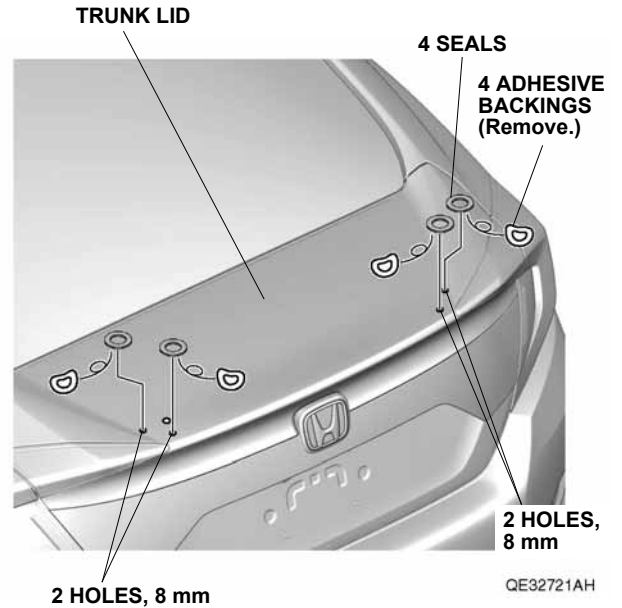
- While wearing eye protection, use a 10 mm Rotabroach to drill the remaining center-punched mark. Drill perpendicular to the trunk lid.



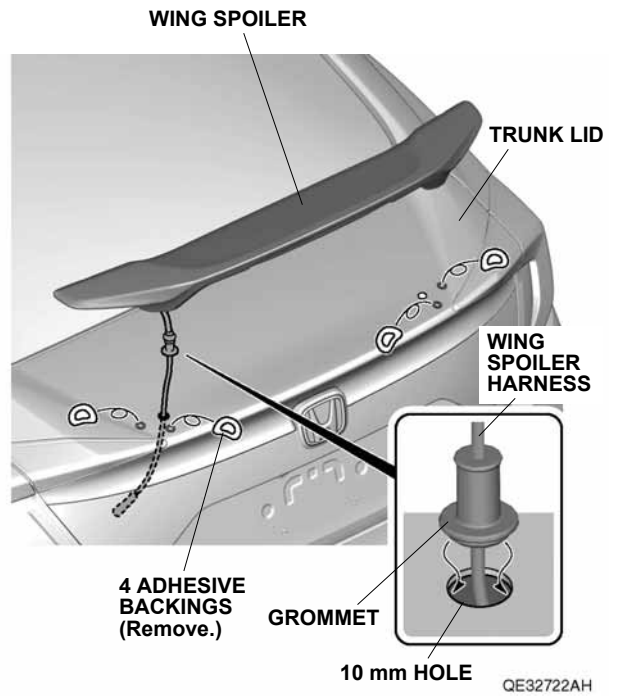
- Remove the tape installed in step 3. Remove all burrs and metal shavings with a file, and apply touch-up paint to the edges of the holes.
- Using an alcohol swab, thoroughly clean the trunk lid where the wing spoiler will attach.



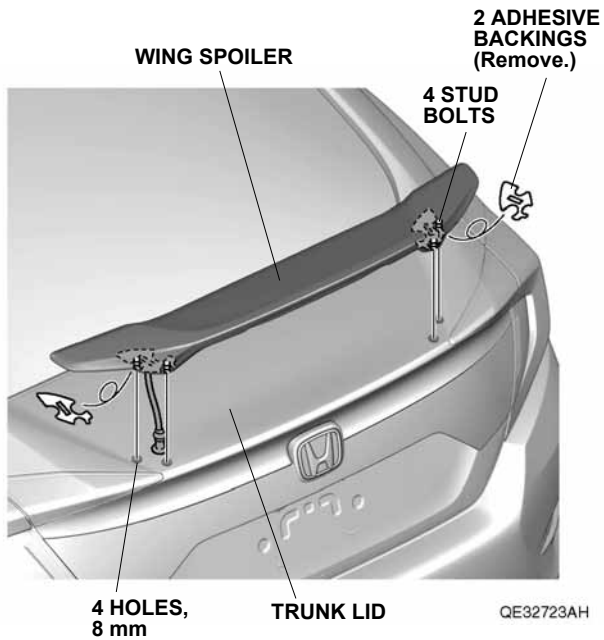
- Remove the adhesive backings from the four seals, and attach the seals to the holes in the trunk lid.



- Remove the adhesive backings from the other side of the four seals, and route the wing spoiler harness down through the 10 mm hole you just drilled. Seat the grommet in the 10 mm hole.  
NOTE: Make sure the grommet is secured properly.

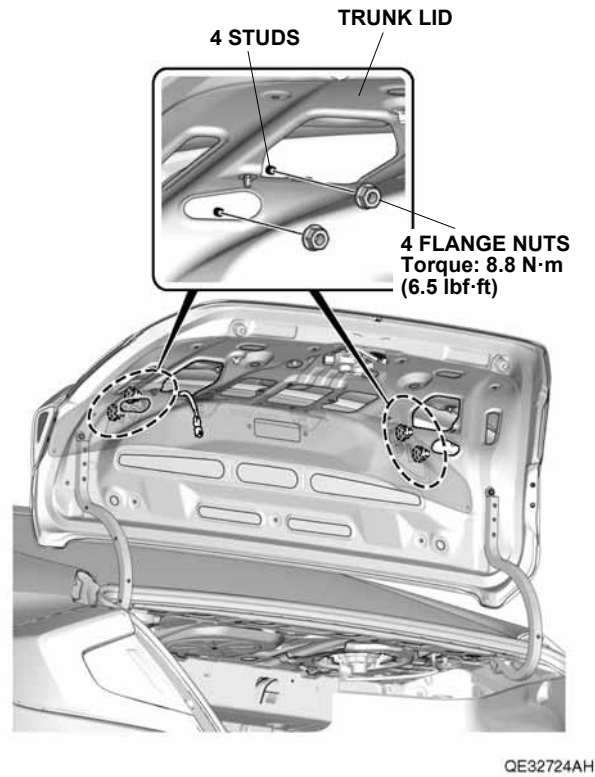


17. Remove the two adhesive backings from the wing spoiler.



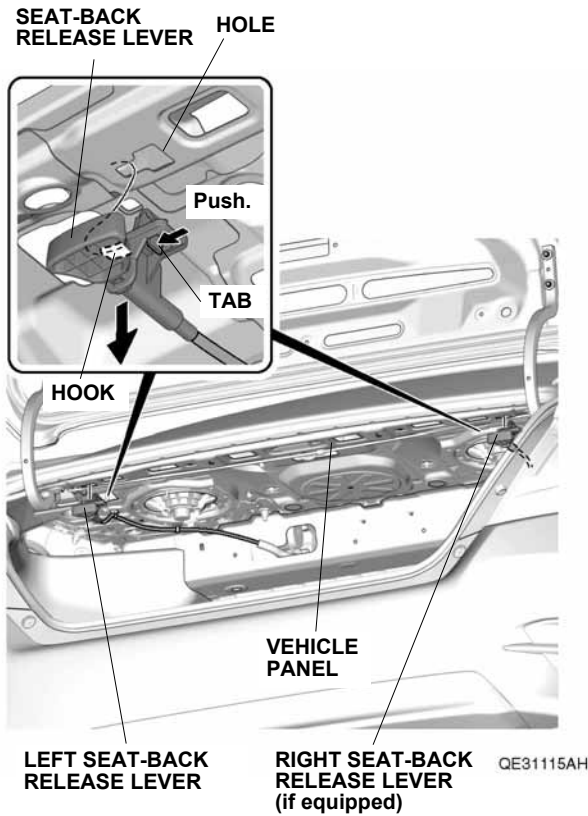
18. Position the wing spoiler on the trunk lid by inserting the four stud bolts into the 8 mm holes in the trunk lid.
19. Hold the wing spoiler firmly against the trunk lid over the adhesive tapes with the palm of your hand for 30 seconds.

20. Open the trunk lid. Install the four flange nuts on the wing spoiler studs, two on each side.

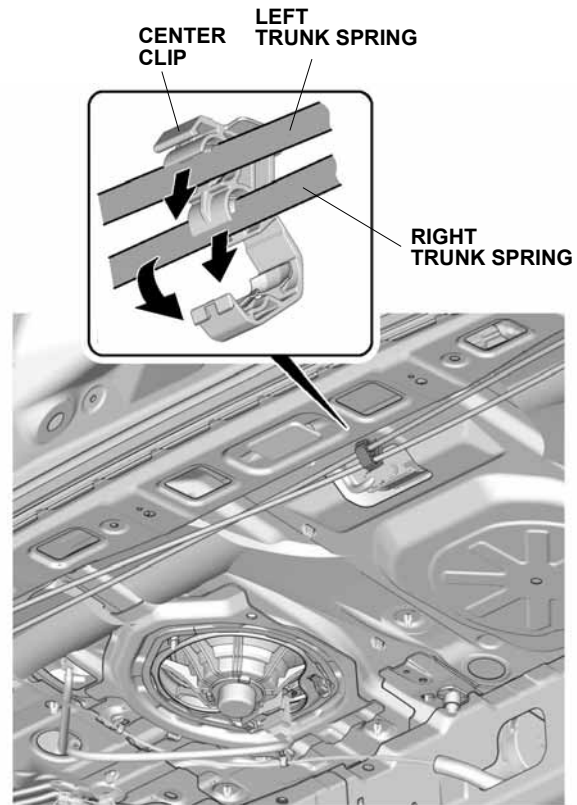


## Installing the Trunk Springs

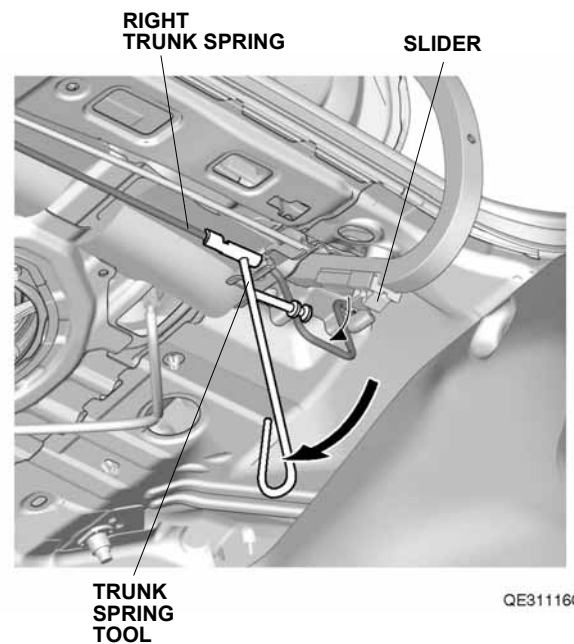
21. Push the tabs, and pull down the left and right seat-back release levers to release the hooks. Move the left and right seat-back release levers out of your way.



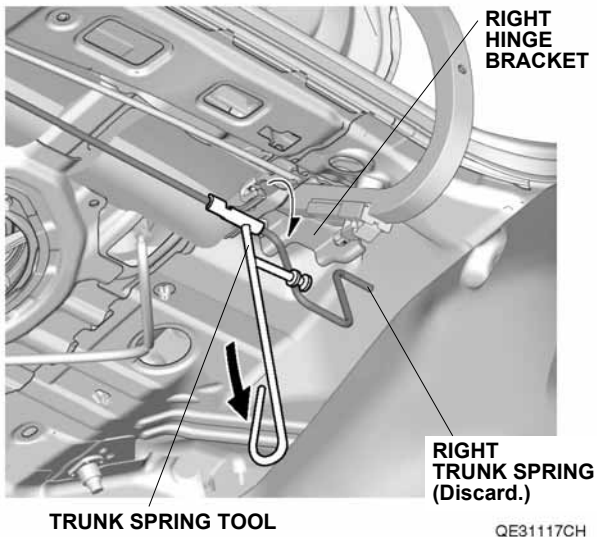
22. Remove the center clip from the left and right trunk springs.



23. With an assistant holding the trunk lid open, remove the right trunk spring from the slider using the trunk spring tool. Wear gloves to protect your hands, and push down on the trunk spring tool slowly and carefully.



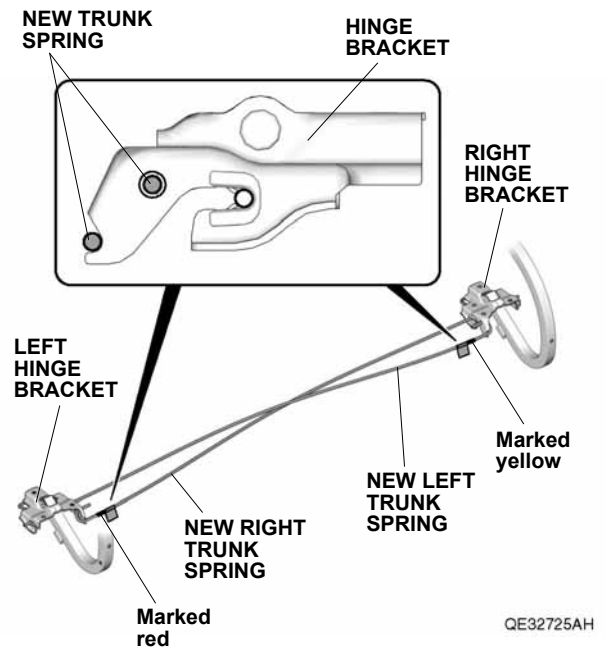
- Remove the right trunk spring from the right hinge bracket.



24. Repeat step 23 on the left side of the vehicle.

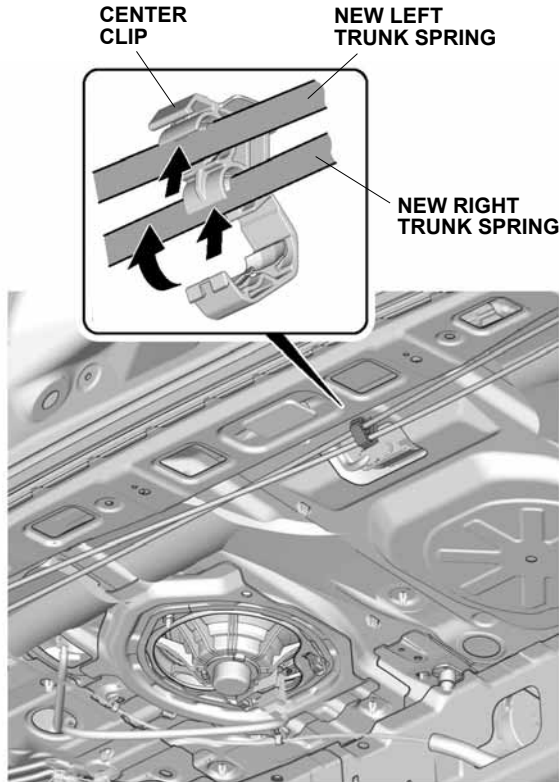
25. Install the new trunk springs in the reverse order of removal:
- Install the yellow marked trunk spring in the slot on the right (passenger's side) hinge bracket and to the left (driver's side) hinge arm.
  - Install the red marked trunk spring in the slot on the left (driver's side) hinge bracket and to the right (passenger's side) hinge arm.
  - Wearing gloves rotate the trunk spring tool as you pull it towards you.

**CAUTION:** Be careful when installing the trunk spring as they could repel with strong force and cause injury.



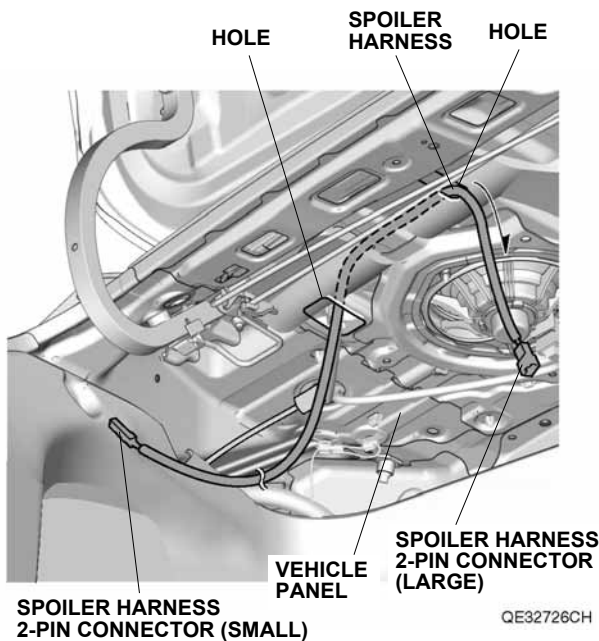


26. Install the center clip to the trunk springs.

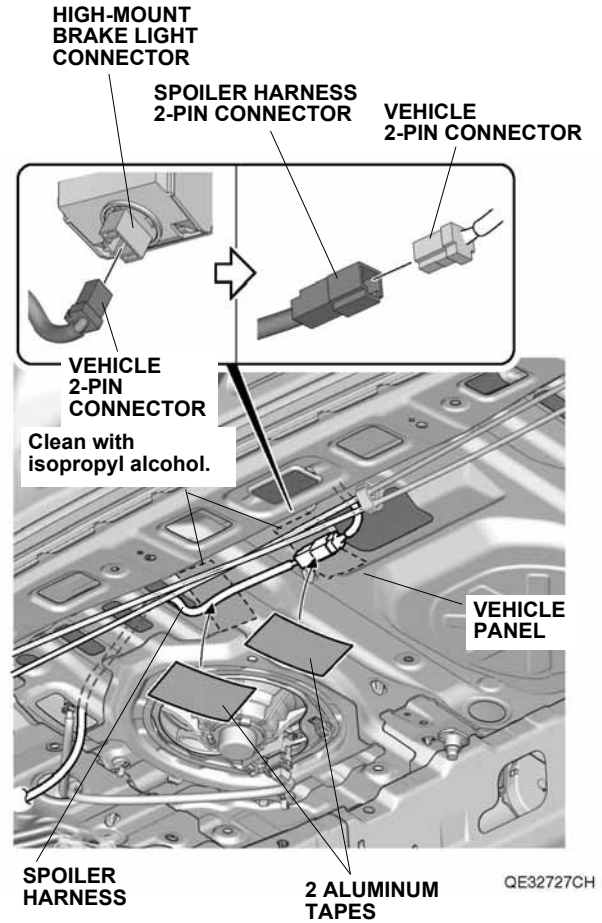


### Routing the Spoiler Harness

27. Route the spoiler harness through the holes in the vehicle panel as shown.



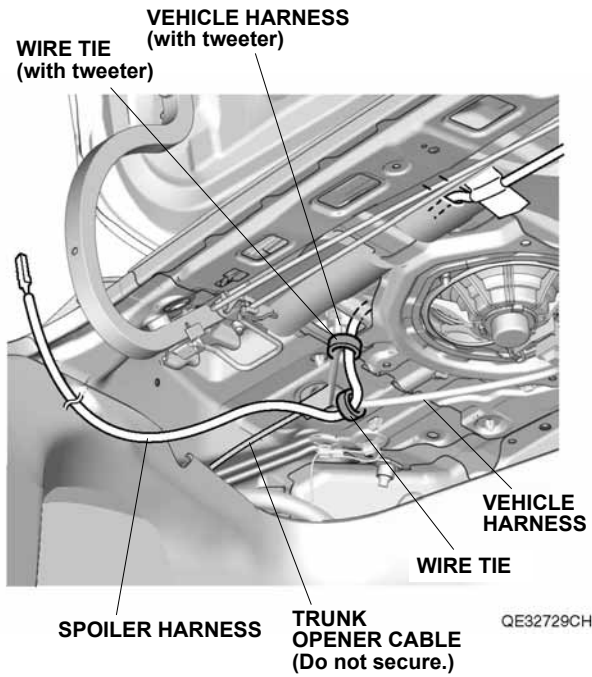
28. Unplug the vehicle 2-pin connector from the high-mount brake light connector, and plug the vehicle 2-pin connector into the spoiler harness 2-pin connector.



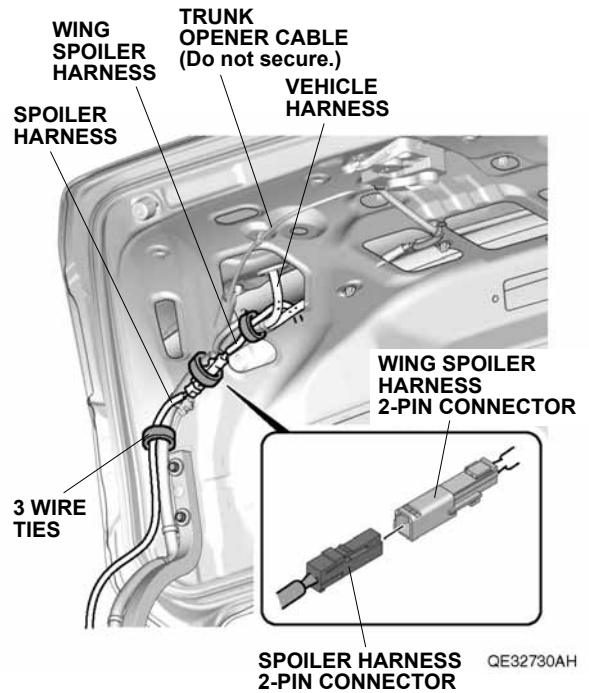
29. Using isopropyl alcohol on a shop towel, thoroughly clean the vehicle panel where the aluminum tapes will attach.
30. Secure the 2-pin connectors and spoiler harness to the vehicle panel with two aluminum tapes.

31. Secure the spoiler harness to the vehicle harness with two wire ties.
 

NOTE: Do not secure the wire tie to the trunk opener cable.



32. Plug the spoiler harness 2-pin connector into the wing spoiler harness 2-pin connector.

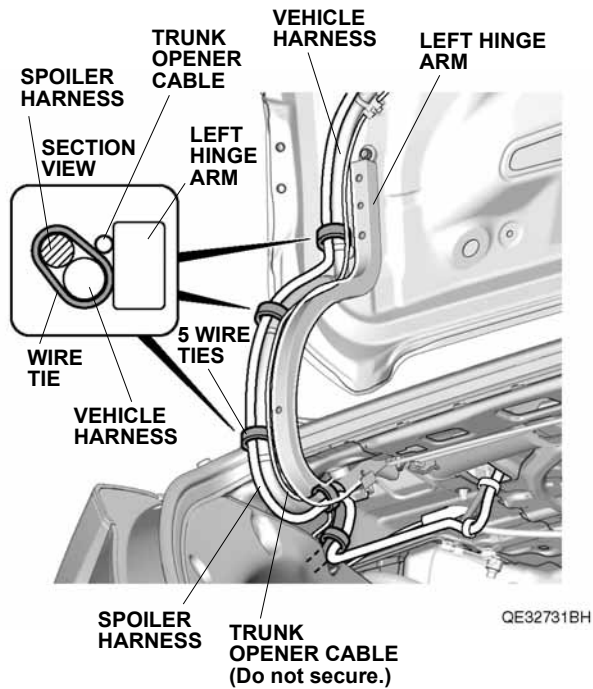


33. Secure the 2-pin connectors, wing spoiler harness, and spoiler harness to the vehicle harness with three wire ties.
 

NOTE: Do not secure the wire ties to the trunk opener cable.

34. Secure the spoiler harness to the vehicle harness with five wire ties.

NOTE: Do not secure the wire ties to the trunk opener cable.



35. Check that all wire harnesses are routed properly and all connectors are plugged in.
36. Install all removed parts.
37. Connect the negative cable to the battery.
38. Press and hold the audio unit power button for 2 seconds to restore the audio and navi (if equipped) system functions.
39. Reset the clock (on vehicles without navigation).

#### **Check the Operation of the Wing Spoiler**

40. Press the brake pedal, and check that the spoiler brake light comes on.