

**PARTS LIST**

Wing spoiler



Left trunk spring (marked yellow)



Right trunk spring (marked red)



Template



Left cover



Right cover



2 Brackets



4 Clips



4 Washer-screws, 6 x 20 mm



Washer-screw, 6 x 25 mm



4 Washer-bolts



2 Alcohol swabs



4 Jack nuts



4 Seals



## TOOLS AND SUPPLIES REQUIRED

Eye protection (face shield, safety goggles, etc.)  
Center punch  
Drill  
File  
Touch-up paint  
Felt-tip pen  
Tape  
Masking tape  
Heavy gloves  
Jack nut tool  
Phillips screwdriver  
Ratchet  
8 mm Socket  
14 mm Open-end wrench  
High-quality paste wax

*The following tools are available through the Honda Tool and Equipment Program. On the iN, click on Service > Service Bay > Tool and Equipment Program, then enter the number under "Search." Or, call 888-424-6857.*

- Trunk Spring Tool (T/N 07AAF-T2AA200)
- Rotabroach Hole Cutting Kit (T/N BLR11201SO)

### **Illustration of the Wing Spoiler on the Vehicle**



## INSTALLATION

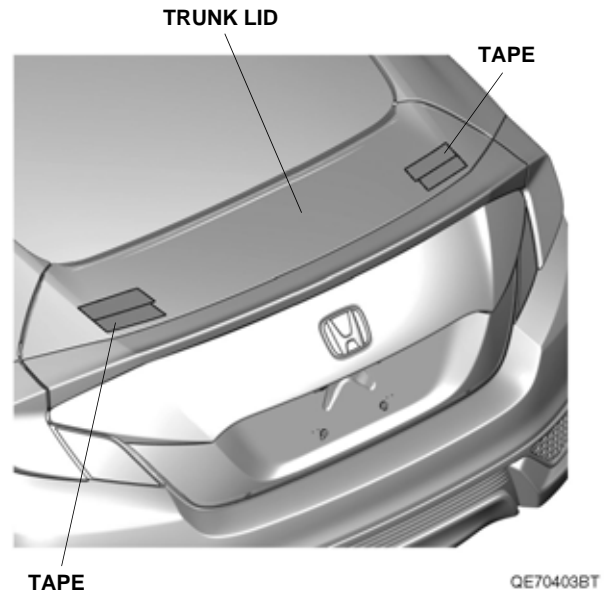
**Customer Information:** The information in this installation instruction is intended for use only by skilled technicians who have the proper tools, equipment, and training to correctly and safely add equipment to your vehicle. These procedures should not be attempted by "do-it-yourselfers."

### NOTE:

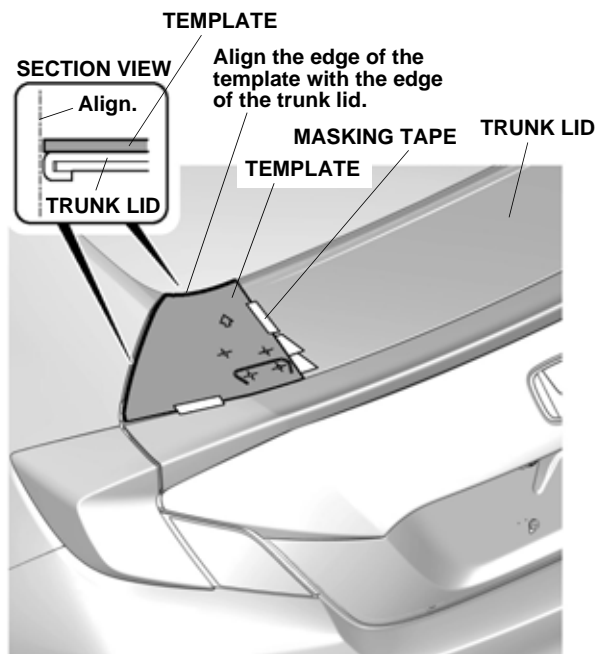
- Be careful not to damage the paint finish.
- This wing spoiler kit should be installed only if the ambient air temperature is 15° C (60° F) or above.
- Clean and wax the areas to be covered with a high-quality paste wax.
- To allow the adhesive to cure, do not wash the vehicle for 24 hours. Make sure your customer is aware of this.

### Installing the Wing Spoiler

1. To prevent the metal shavings from falling into the trunk, apply masking tape to the trunk lid as shown.

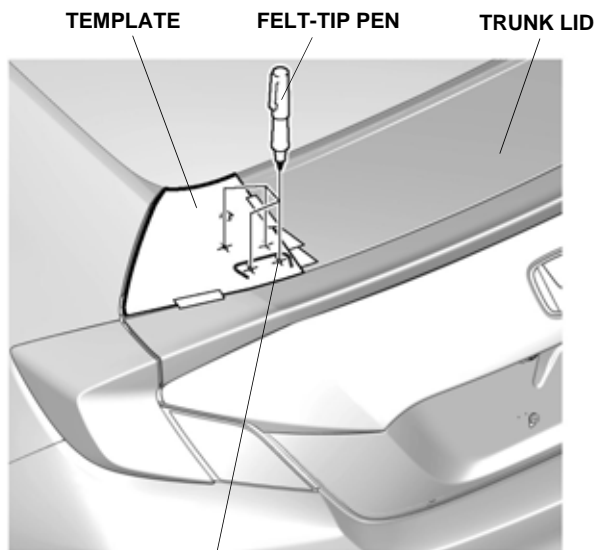


- Place the template on the left side of the trunk lid and align the template with the trunk lid as shown. Tape the template to the trunk lid with strips of masking tape.



QE70404CT

- Using a felt-tip pen, mark the trunk lid through the template as shown.

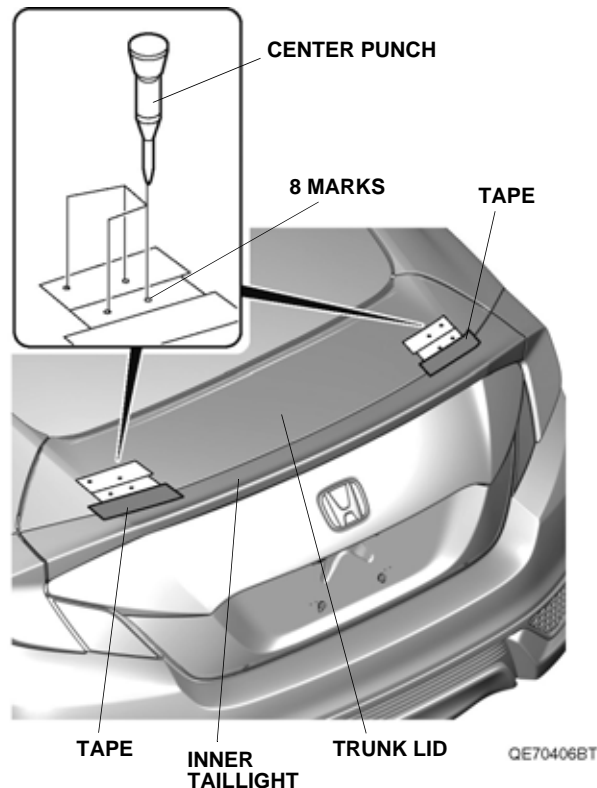


**4 MARKS**

QE70405CT

- Remove the template.
- Turn the template over and repeat steps 2 through 4 on the right side of the trunk lid.

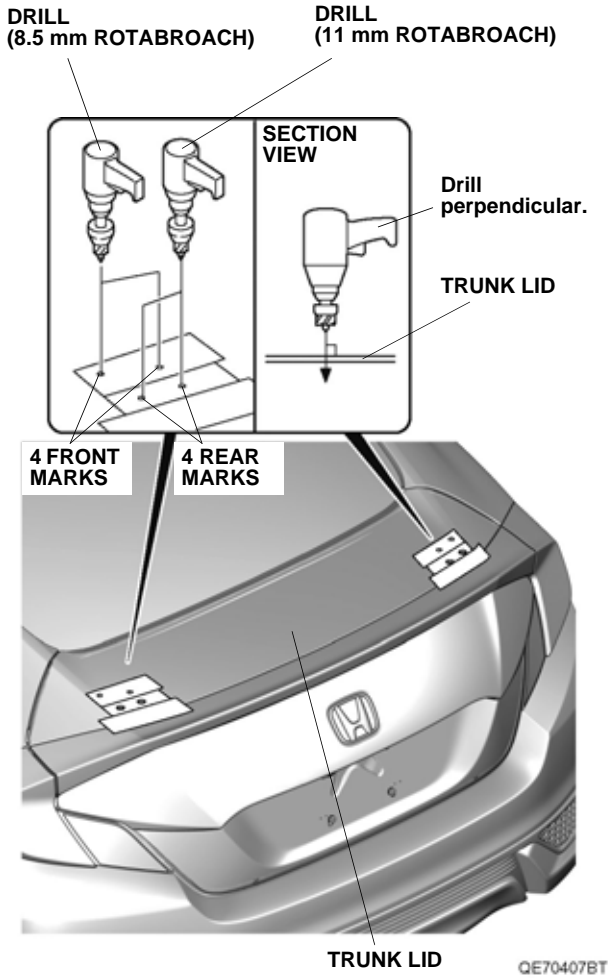
- Cover the seam between the trunk lid and trunk lid spoiler to prevent the metal shavings from getting caught in the area shown.



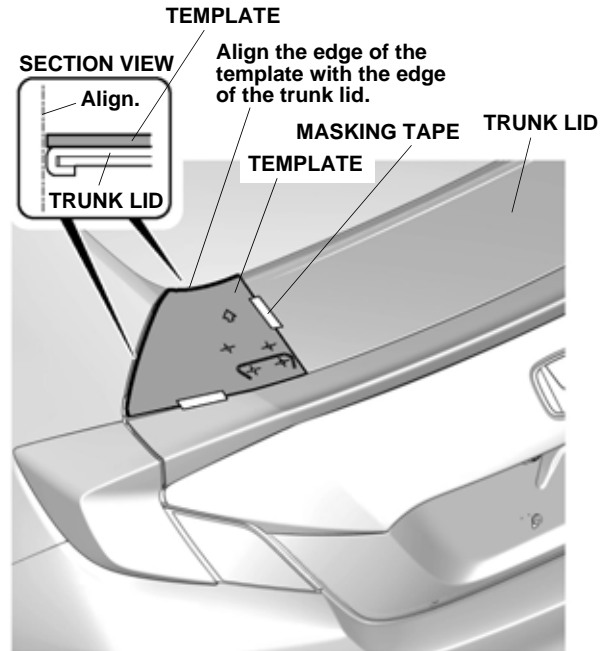
QE70406BT

- Using a center punch, punch the centers of all eight marks.  
**NOTE:** If using an automatic center punch, set it to the minimum setting.

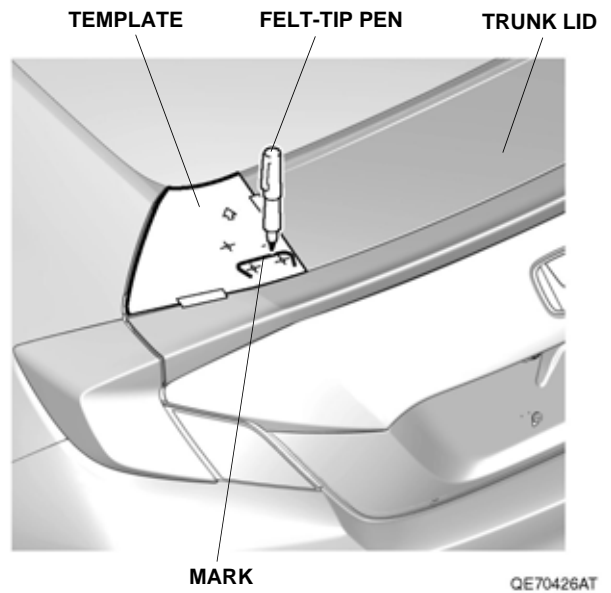
- While wearing eye protection, use a 8.5 mm Rotabroach to drill the four front holes at the center-punched marks, and a 11 mm Rotabroach to drill the four rear holes in the remaining center-punched marks.  
NOTE: Drill perpendicular to the trunk lid.



- Remove the tape. Remove all burrs and metal shavings with a file and apply touch-up paint to the edges of the holes.
- Place the template on the left side of the trunk lid and align the template with the trunk lid as shown. Tape the template to the trunk lid with masking tape.

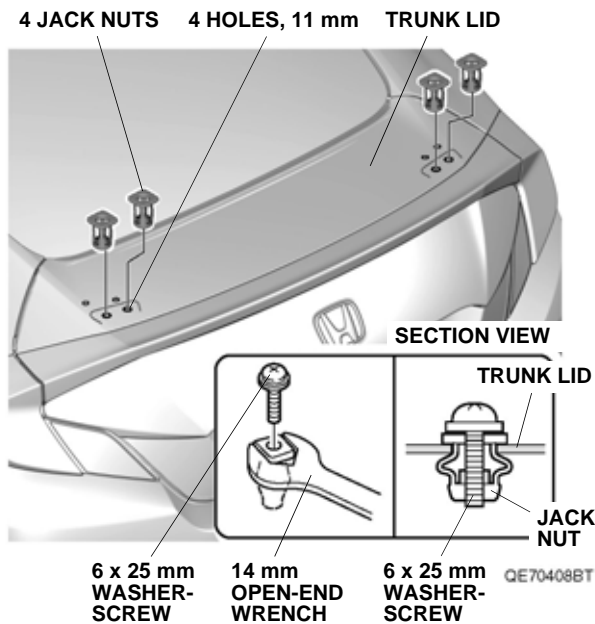


- Using a felt-tip pen, mark the trunk lid through the template as shown.

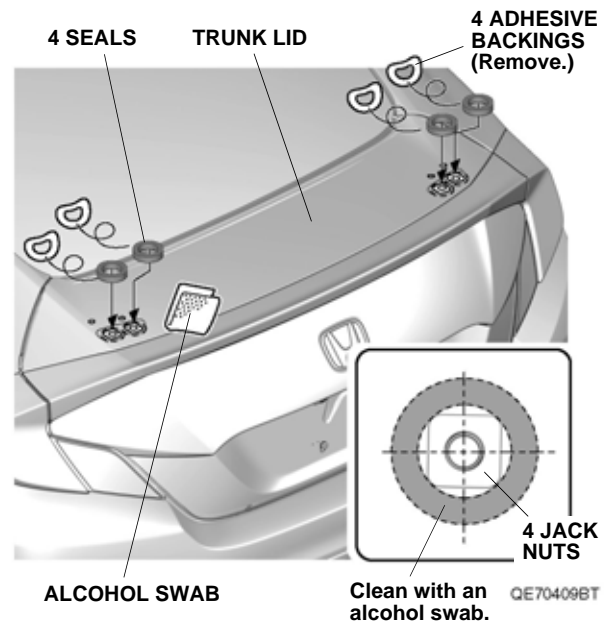


- Remove the template.

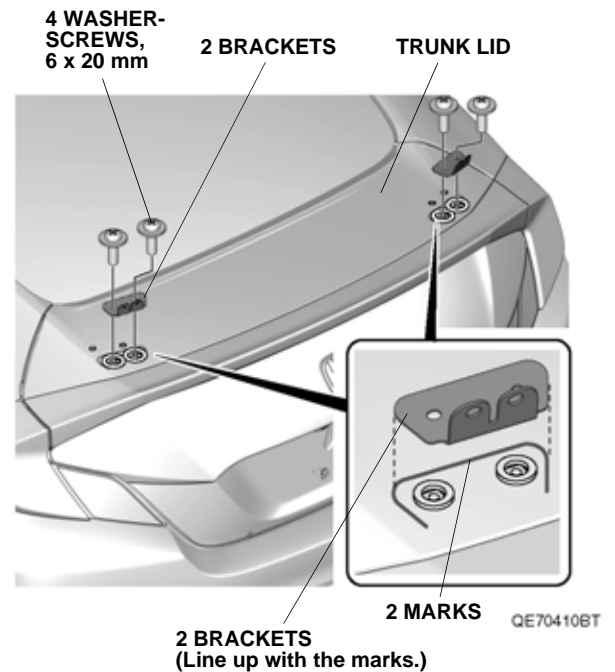
13. Turn the template over and repeat steps 10 through 12 on the right side of the trunk lid.
14. Insert four jack nuts into each of the four 11 mm holes. Install the jack nuts using a jack nut tool. If a jack nut tool is not available, do this:
  - Thread a 6 x 25 mm washer-screw into the jack nut. While holding the jack nut with a 14 mm open-end wrench, tighten the 6 x 25 mm washer-screw.
  - Tighten the 6 x 25 mm washer-screw until the jack nut is fully collapsed, then remove the 6 x 25 mm washer-screw.



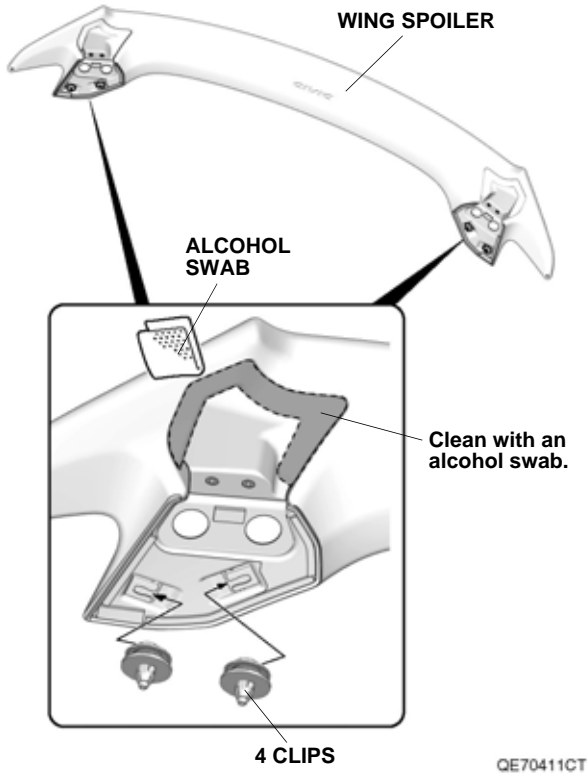
15. Using an alcohol swab, thoroughly clean the trunk lid where the seals will attach.



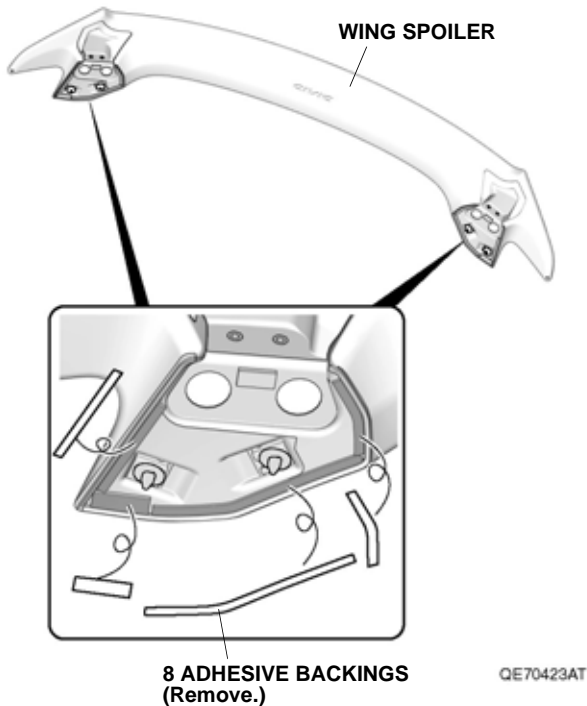
16. Remove the adhesive backing from each seal and attach one seal over each jack nut.
17. Line up the two brackets with the mark made in step 11 and install them on the trunk lid with four 6 x 20 mm washer-screws.



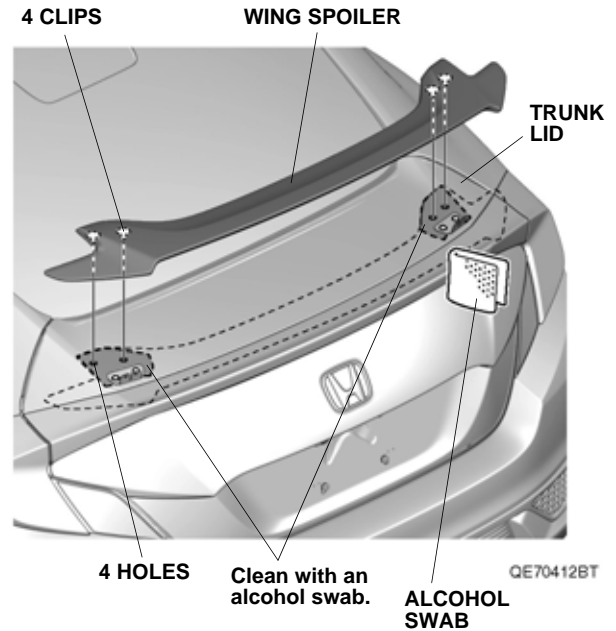
18. Install the four clips on the wing spoiler.



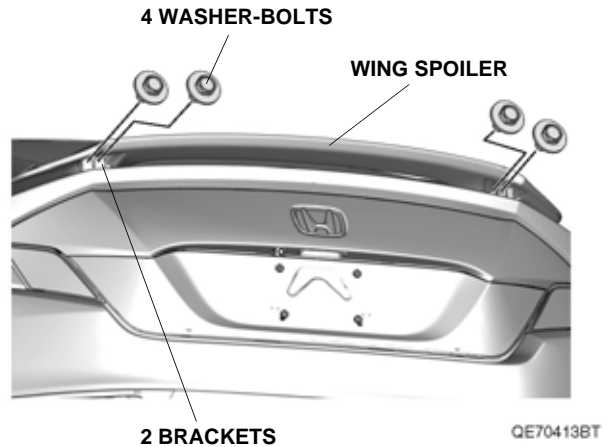
19. Using an alcohol swab, thoroughly clean the wing spoiler where the covers will attach.  
 20. Remove the eight adhesive backings from the wing spoiler.



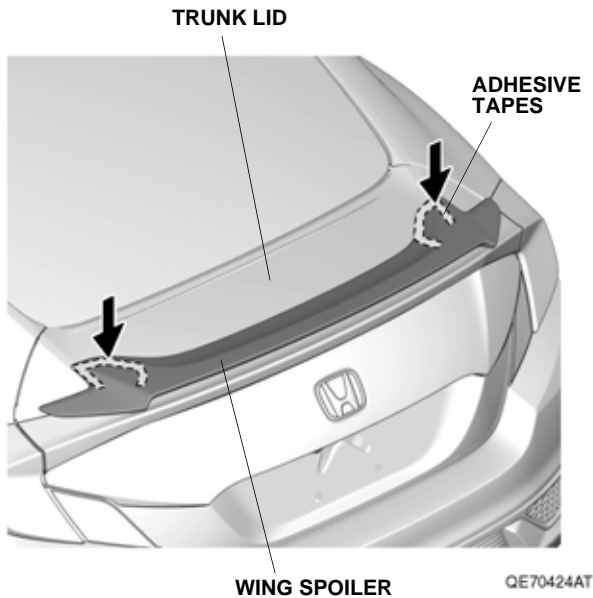
21. Using an alcohol swab, thoroughly clean the trunk lid where the wing spoiler will attach.



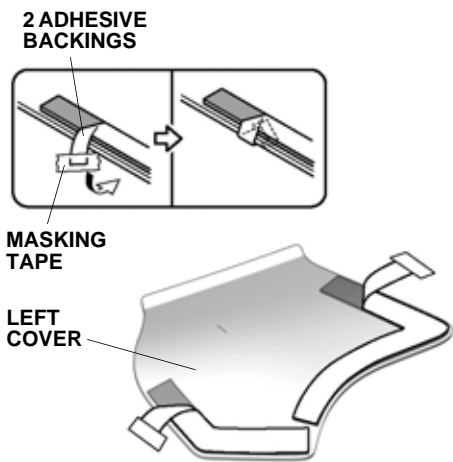
22. Line up the four clips on the wing spoiler with the holes in the trunk lid and install the wing spoiler. Apply pressure to the wing spoiler over each clip until you hear a click.  
 NOTE: Do not apply excessive pressure.  
 23. Secure the wing spoiler to the trunk lid with four washer-bolts.



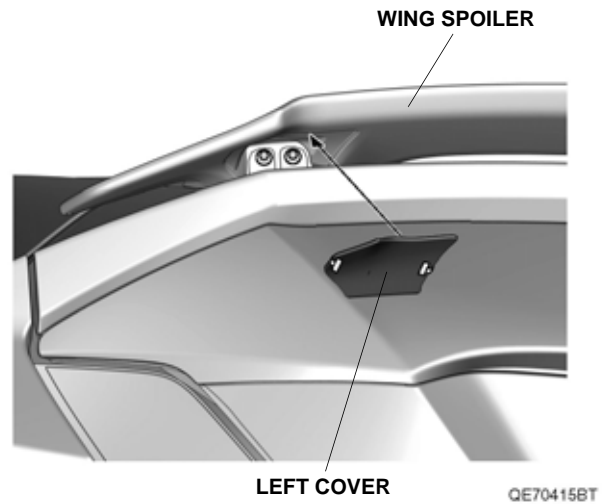
24. Hold the wing spoiler firmly against the trunk lid over the adhesive tapes with the palm of your hand for 30 seconds.



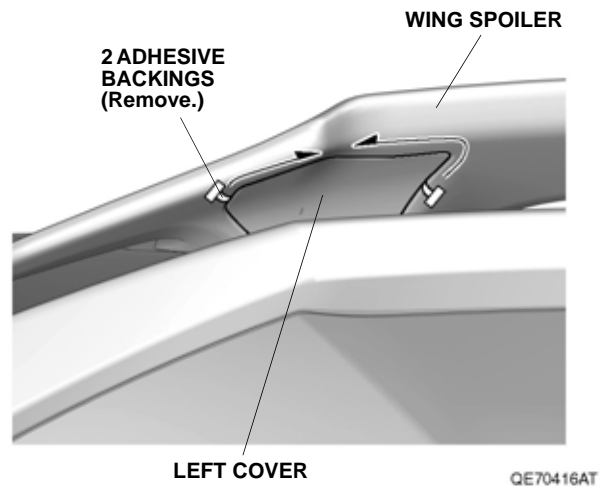
25. Peel back the adhesive backing from each adhesive strip and tape the ends to the front surface of the left cover with masking tape.



26. Align the left cover with the wing spoiler.



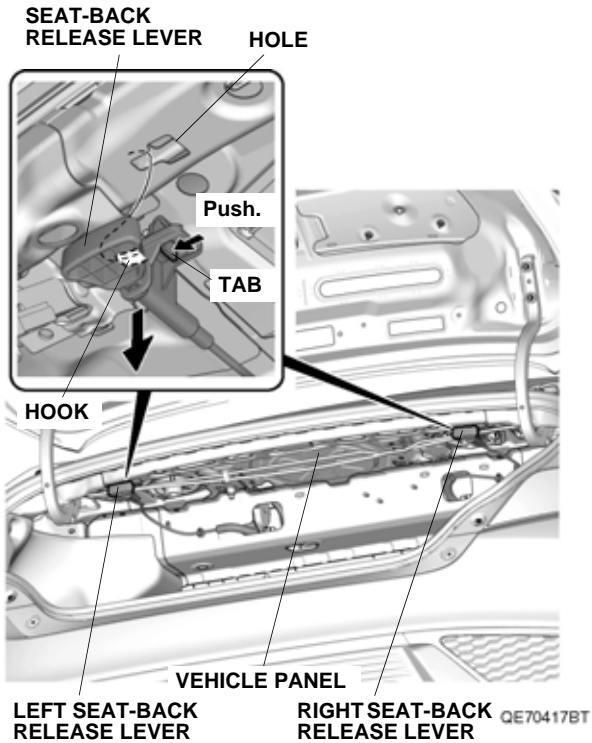
27. While applying light pressure against the left cover, carefully remove the adhesive backings as shown.



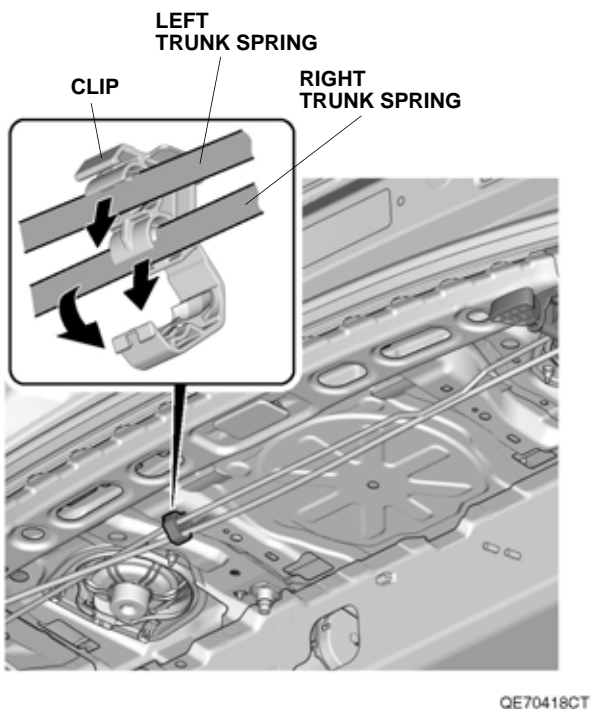
28. Using your hand, firmly press the left cover against the wing spoiler.
29. Repeat steps 25 through 28 on the right side of the wing spoiler.

## Installing the Trunk Springs

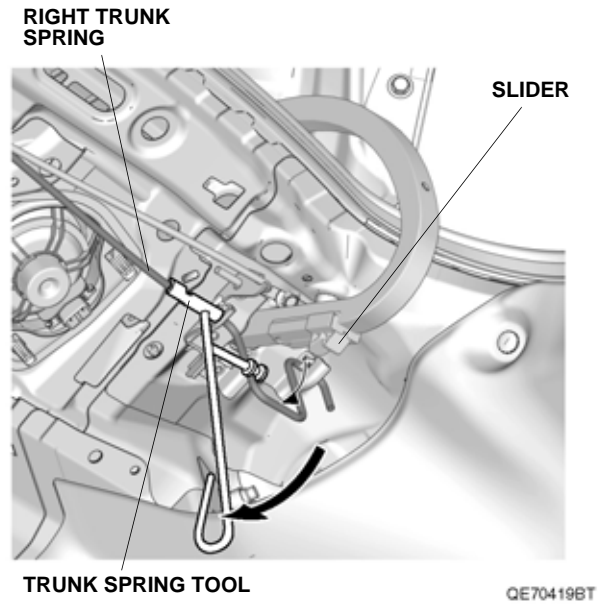
30. Open the trunk lid. Push the tabs and pull down the left and right seat-back release levers to release the hooks. Move the left and right seat-back release levers out of your way.



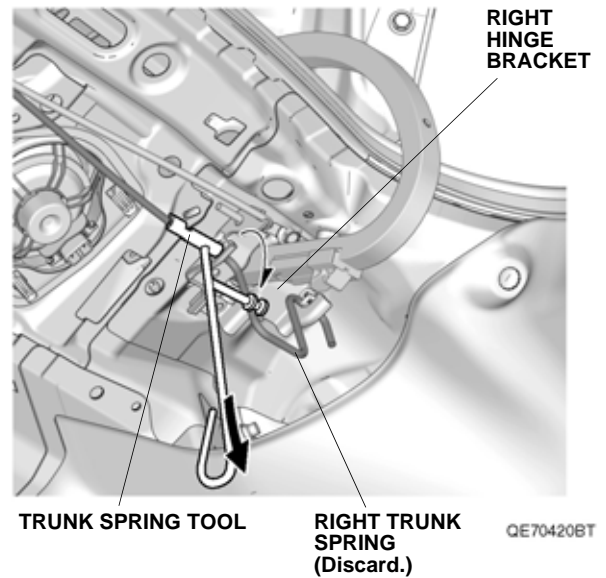
31. Remove the clip from the left and right trunk springs.



32. With an assistant holding the trunk lid open, remove the right trunk spring from the slider using the trunk spring tool. While wearing gloves to protect your hands and push down on the trunk spring tool slowly and carefully.



- Remove the right trunk spring from the right hinge bracket.

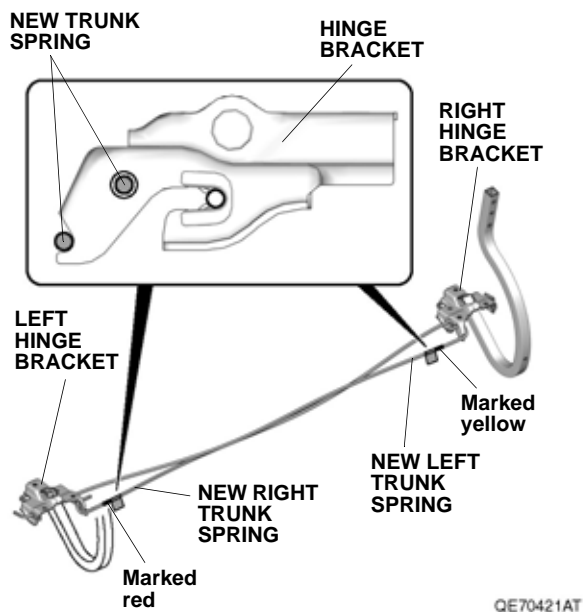


33. Repeat step 32 on the left side of the vehicle.



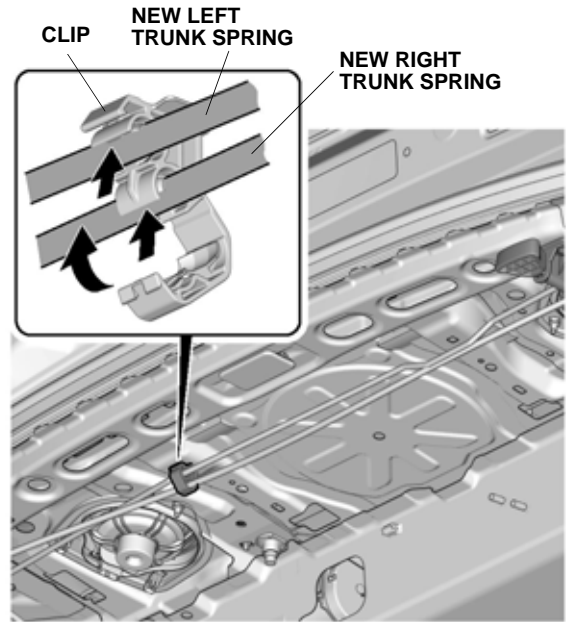
34. Install the new trunk springs in the reverse order of removal.
- Install the yellow-marked trunk spring in the slot in the right (passenger's side) hinge bracket and to the left (driver's side) hinge arm.
  - Install the red-marked trunk spring in the slot in the left (driver's side) hinge bracket and to the right (passenger's side) hinge arm.
  - While wearing gloves, rotate the trunk spring tool as you pull it towards you.

**CAUTION:** Be careful when installing the trunk spring as they could repel with strong force and cause injury.



QE70421AT

35. Install the clip to the trunk springs.



QE70422CT

36. Install all removed parts.