



INSTALLATION INSTRUCTIONS

Accessory SPLASH GUARDS P/N 08P00-TBG-100	Application 2016 CIVIC 2-DOOR	Publications No. VERSION 1
		Issue Date FEB 2016

PARTS LIST

Left front splash guard



Right front splash guard



Left rear splash guard



Right rear splash guard



10 Self-tapping screws



2 Spring nuts



TOOLS AND SUPPLIES REQUIRED

Phillips screwdriver

Stubby Phillips screwdriver

High-quality paste wax

Pushpin

The following tool is available through the Honda Tool and Equipment Program. On the iN, click on: Service > Service Bay > Tool and Equipment Program, then enter the number under "Search." Or, call 888-424-6857.

- Trim Tool Set (T/N SOJATP2014)

INSTALLATION

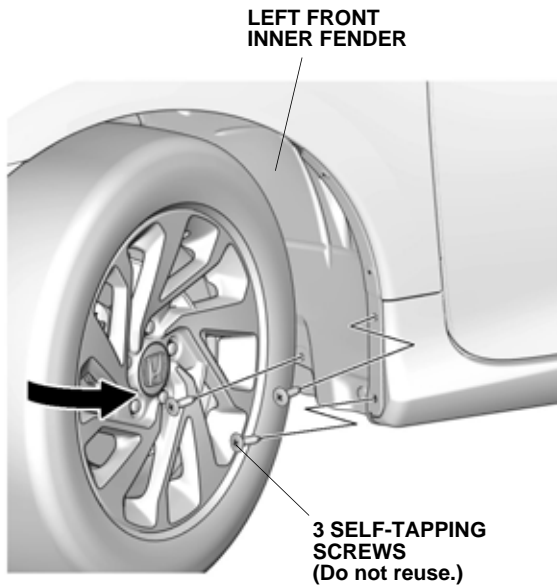
Customer Information: The information in this installation instruction is intended for use only by skilled technicians who have the proper tools, equipment, and training to correctly and safely add equipment to your vehicle. These procedures should not be attempted by "do-it-yourselfers."

NOTE:

- Be careful not to damage the paint finish.
- Clean and wax the areas to be covered with a high-quality paste wax.

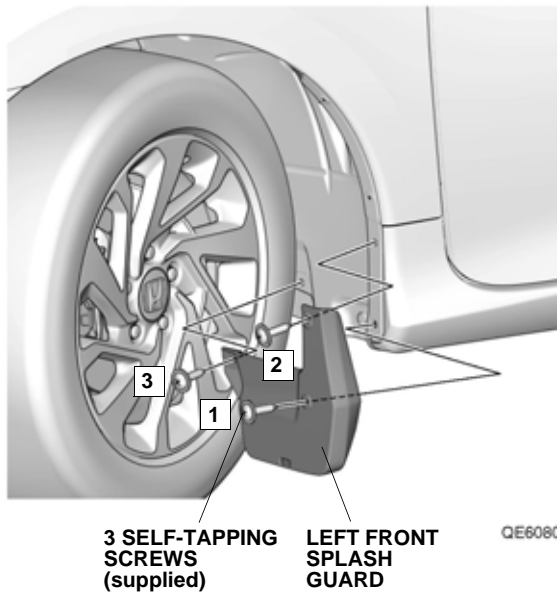
Installing the Front Splash Guards

1. Turn the steering wheel fully counterclockwise.



QE60801AU

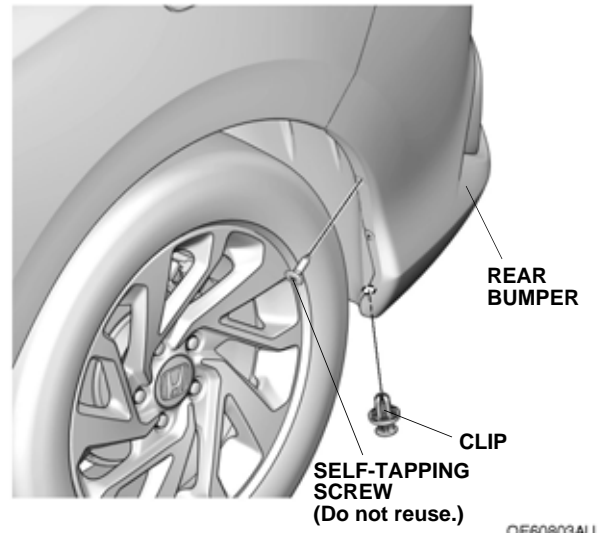
2. Remove three self-tapping screws from the left front inner fender.
3. Secure the left front splash guard with three self-tapping screws in the order shown below. NOTE: Make sure there is no gap between the left front splash guard and the vehicle body. If there is a gap, loosen the self-tapping screws, hold the splash guard against the body, and retighten the self-tapping screws.



QE60802AU

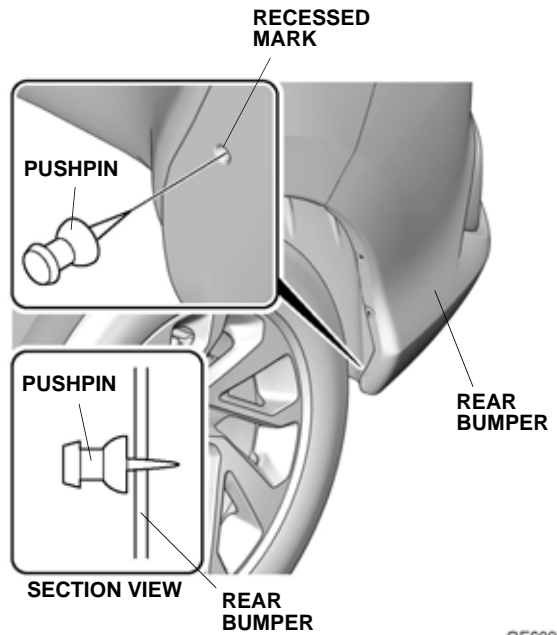
Installing the Rear Splash Guards

4. Remove one self-tapping screw and one clip from the rear bumper.



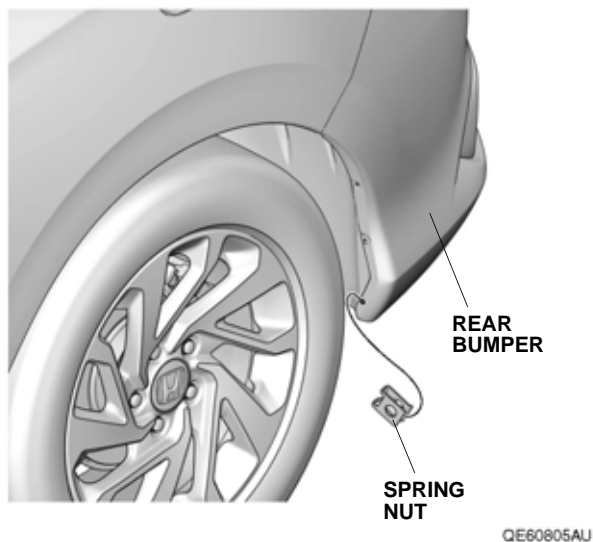
QE60803AU

5. Locate the recessed mark. Using a pushpin, pierce the rear bumper at the recessed mark.

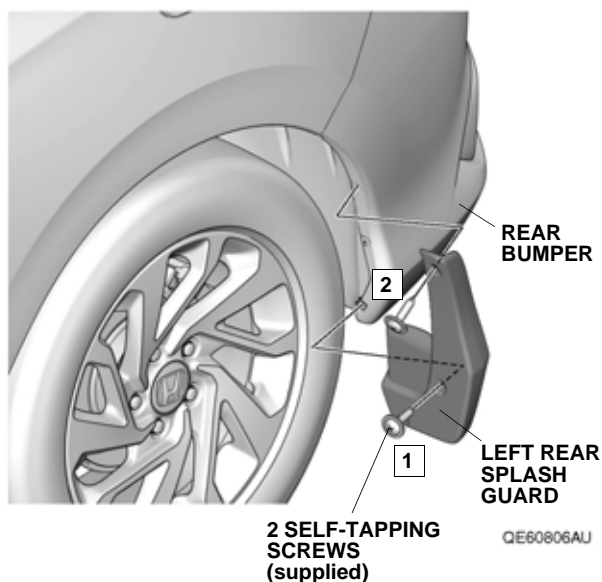


QE60804AU

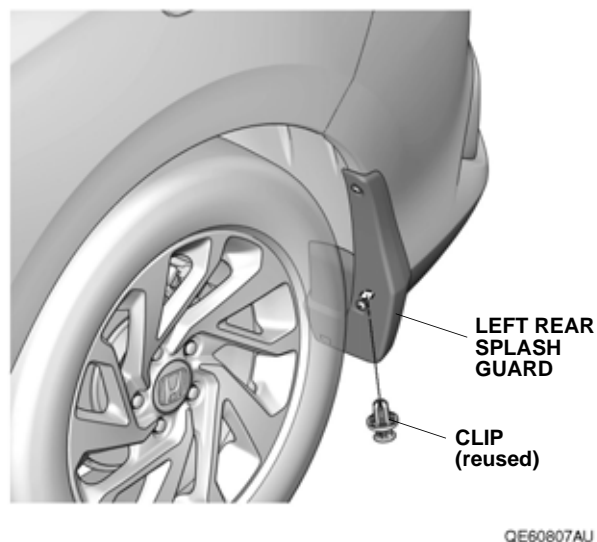
6. Install one spring nut on the rear bumper. Make sure to install the spring nut in the correct position and orientation.



7. Secure the left rear splash guard with two self-tapping screws in the order shown below. NOTE: Make sure there is no gap between the left rear splash guard and the bumper. If there is a gap, loosen the self-tapping screws, hold the splash guard against the bumper, and retighten the self-tapping screws.



8. Secure the left rear splash guard with one clip.



9. Turn the steering wheel fully clockwise, and repeat steps 2 through 8 to install the right splash guards on the right side of the vehicle.