



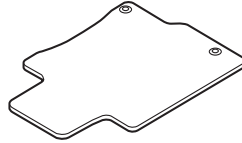
INSTALLATION INSTRUCTIONS

Accessory	Application	Publications No.
ALL-SEASON FLOOR MATS	2010 ACCORD CROSSTOUR	All 41949
		Issue Date NOV 2009

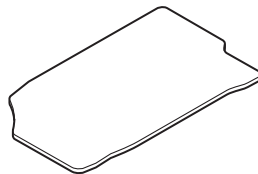
PARTS LIST

All-Season Floor Mats Kit (2WD) P/N 08P13-TP6-110

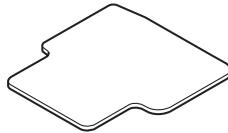
Driver's side all-season floor mat



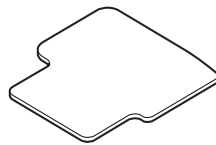
Passenger's side all-season floor mat



Left rear all-season floor mat

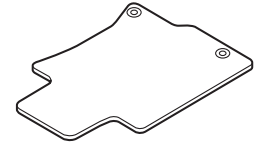


Right rear all-season floor mat

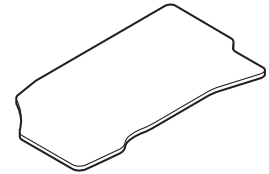


All-Season Floor Mats Kit (4WD) P/N 08P13-TP7-110

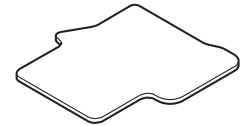
Driver's side all-season floor mat



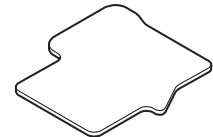
Passenger's side all-season floor mat



Left rear all-season floor mat



Right rear all-season floor mat



INSTALLATION

NOTE:

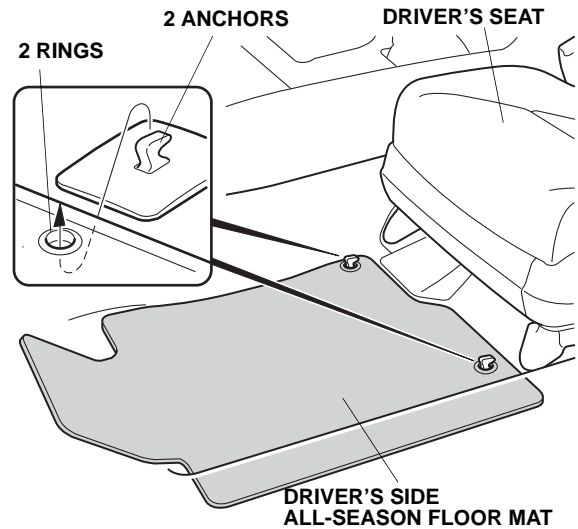
- Before installing the mats, identify their installation positions.
- Holders or anchors are required for the driver's side of the vehicle; the holders or anchors prevent the mat from sliding forward and possibly interfering with the pedals.
- If you remove the mat, make sure you reanchor it when you put it back in your vehicle.
- If you replace the mat, use a factory mat designed to be used with the holders or anchors.
- If you use a non-factory mat in the driver's footwell, make sure it fits properly and that it can be used with the holders or anchors.
- **Do not put any additional mats on top of the anchored mat. The additional mat may slide forward and possibly interfere with the pedals.**
- Identify each mat by the marks on the back of each mat: the mats marked "R" go on the right side of the vehicle; the mats marked "L" go on the left side.

Installing the All-Season Floor Mats

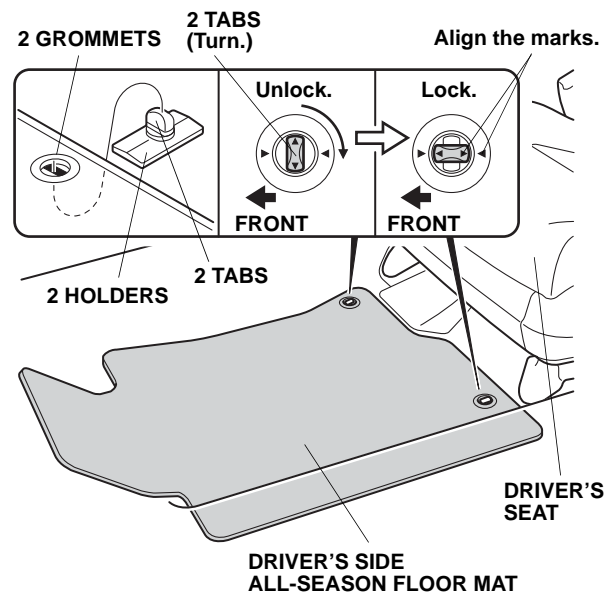
1. Remove the driver's, passenger's, and rear seat vehicle floor mats as described in the vehicle owner's manual. **Do not simply lay the all-season floor mats on top of the factory installed mats. The unsecured driver's mat could slide forward and possibly interfere with the control pedals.**

Install the driver's all-season floor mat

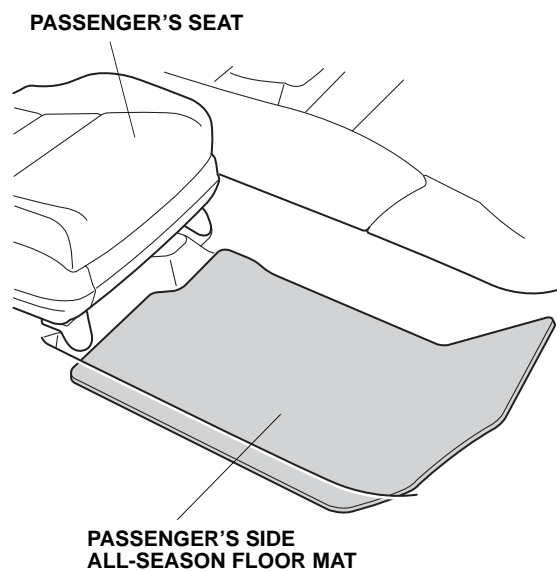
2. **2WD model:** Place the two rings in the driver's side all-season floor mat over the two anchors.



2. **4WD model:** Place the grommets in the driver's side all-season floor mat over the tabs, and turn the tabs one quarter turn to secure the all-season floor mat.



3. Position the passenger's side all-season floor mat in the passenger's footwell.



4. Position the right and left rear all-season floor mats in the rear seat footwells.

