



# INSTALLATION INSTRUCTIONS

Accessory  
**AUTOMATIC DAY/NIGHT MIRROR**

Application  
**2018 ACCORD**

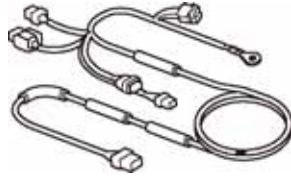
Publications No.  
**VERSION 1**

Issue Date  
**OCT 2017**

## PARTS LIST

### Attachment Kit-

Automatic day/night mirror harness



11 Wire ties  
(Some may not be used)



Fuse label



Urethane tape



20A Fuse  
(May not be used)



Harness cover



### Service Parts

Automatic Day/Night mirror



### TOOLS AND SUPPLIES REQUIRED

Phillips screwdriver

Flat-tip screwdriver

Ratchet

8 mm and 10 mm Socket

10 mm Open end wrench

Torque wrench

Isopropyl alcohol

Shop towel

Diagonal cutters

T-20 TORX bit

Masking tape

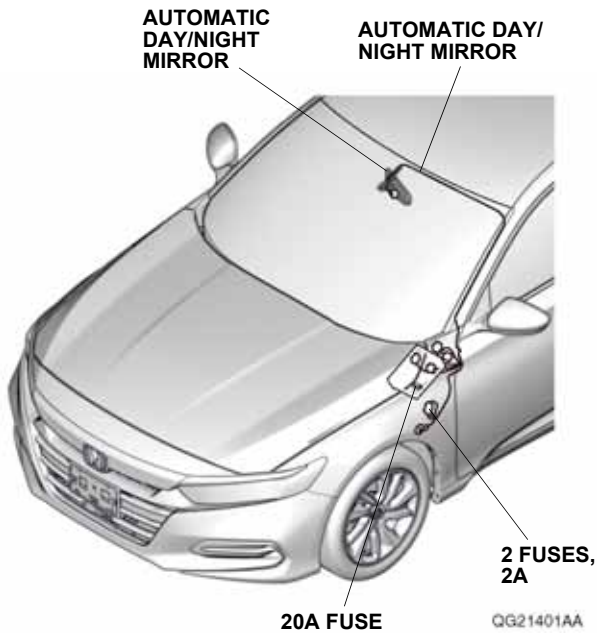
Ruler

Scissors

*The following tools are available through the Honda Tool and Equipment Program. On the iN, click on Service > Service Bay > Tool and Equipment Program, then enter the number under "Search." Or, call 888-424-6857.*

- Trim Tool Set (T/N SOJATP2014)
- Plastic Trim Tool (T/N SILTRIMTL10)

**Illustration of the Automatic Day/Night Mirror in the Vehicle**



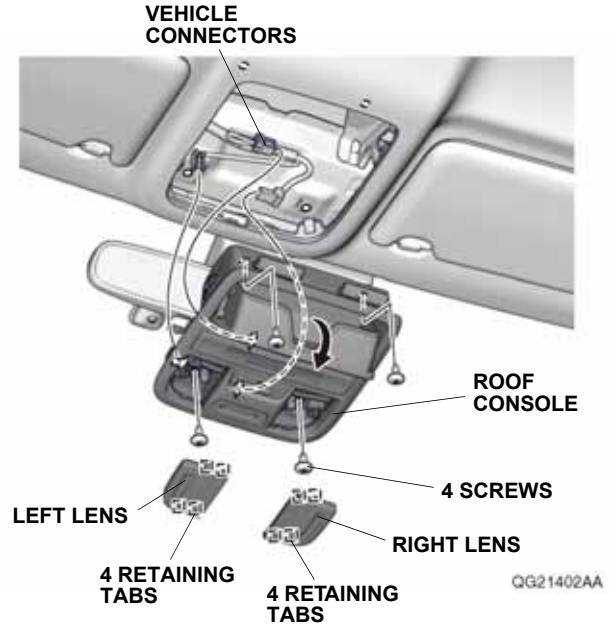
**INSTALLATION**

**Customer Information:** The information in this installation instruction is intended for use only by skilled technicians who have the proper tools, equipment, and training to correctly and safely add equipment to your vehicle. These procedures should not be attempted by "do-it-yourselfers."

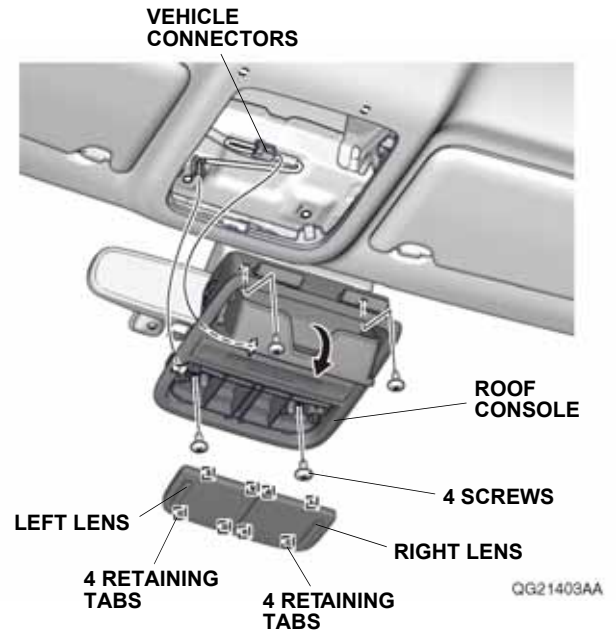
1. Disconnect the negative cable from the battery.

2. Remove the roof console:
  - Using a plastic trim tool, pry out and remove the left and right lenses.
  - Open the sunglass holder and remove the four screws.
  - Remove the roof console and unplug the vehicle connectors.

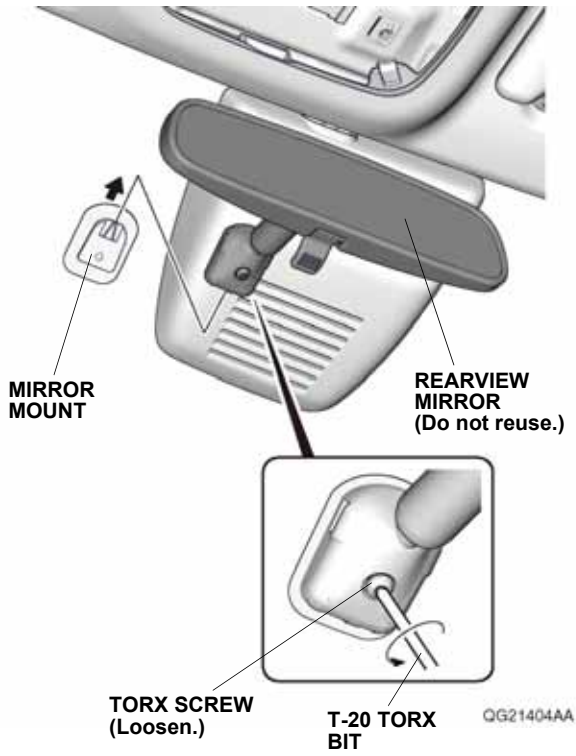
**With Moonroof**



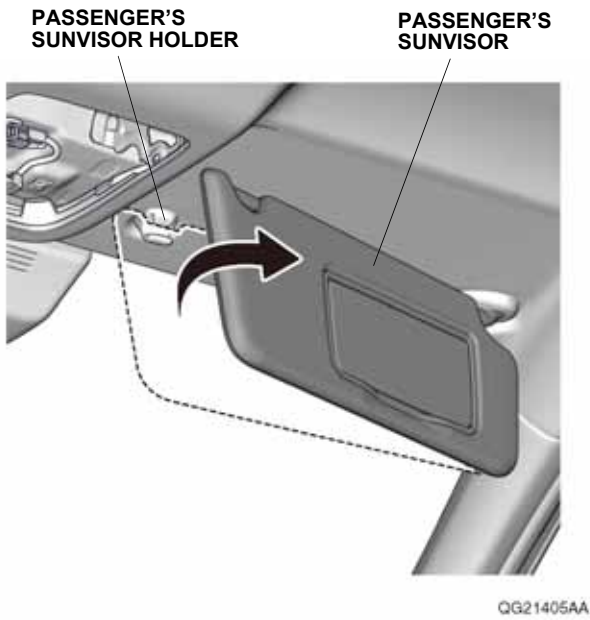
**Without Moonroof**



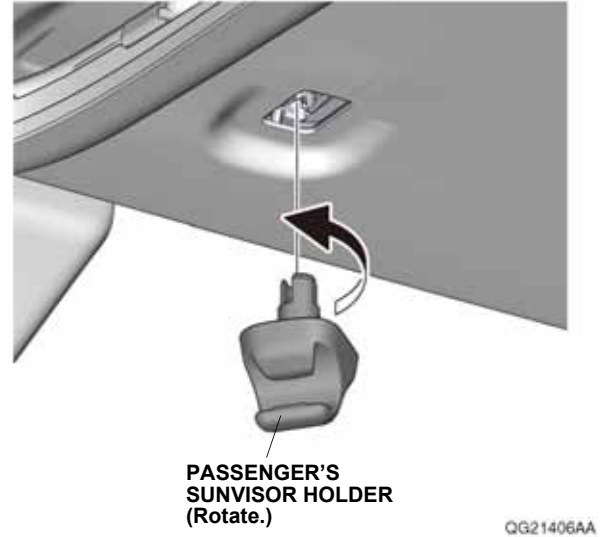
3. Loosen the TORX screw and remove the rearview mirror.



4. Release the passenger's sunvisor from the passenger's sunvisor holder.

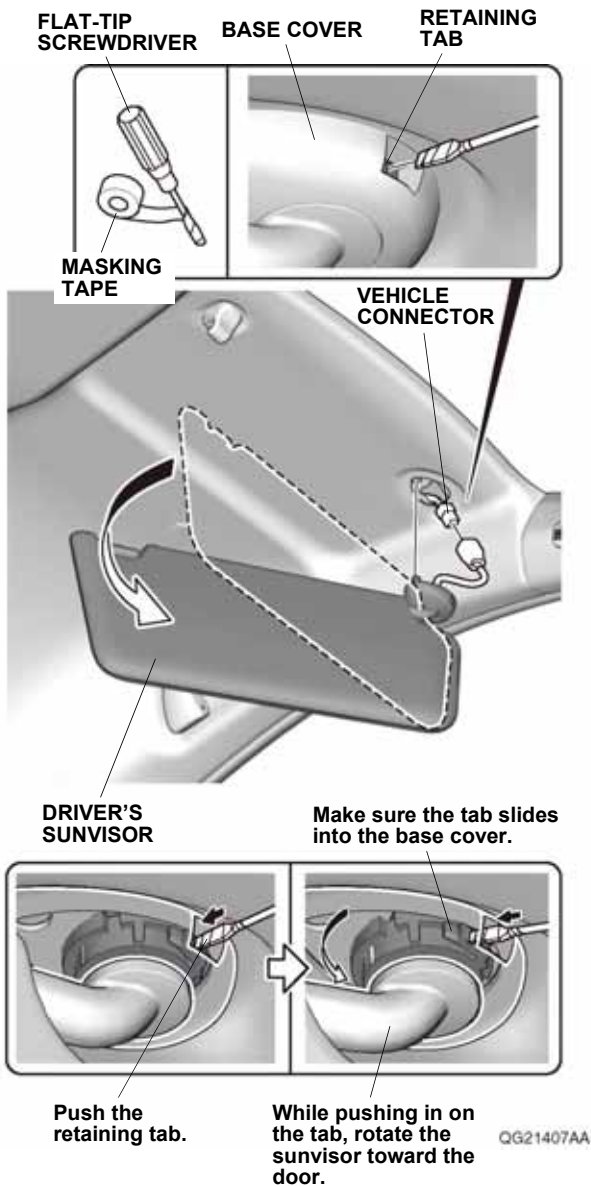


5. Remove the passenger's sunvisor holder by rotating it 45° counterclockwise.

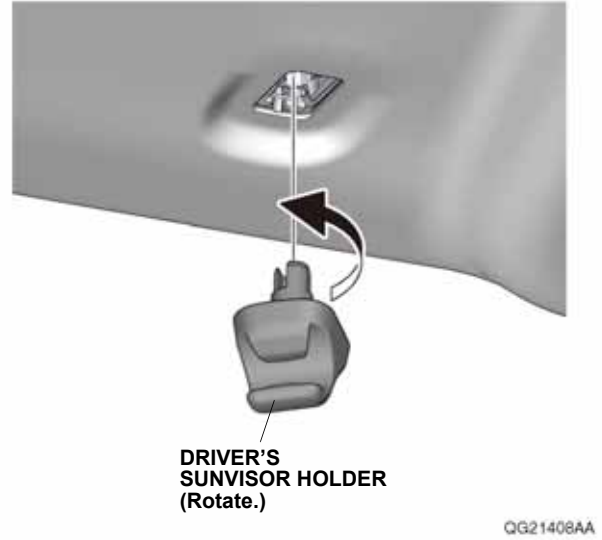


6. Remove the driver's sunvisor and unplug the vehicle connector:
  - Pivot the driver's sunvisor downward and release it from the driver's sunvisor holder.
  - Wrap masking tape around the tip of a flat-tip screwdriver.
  - Locate the slot in the base cover and insert the flat-tip screwdriver into the slot. Push in and hold the retaining tab.
  - While holding the retaining tab, push up on the sunvisor and rotate it toward the door.

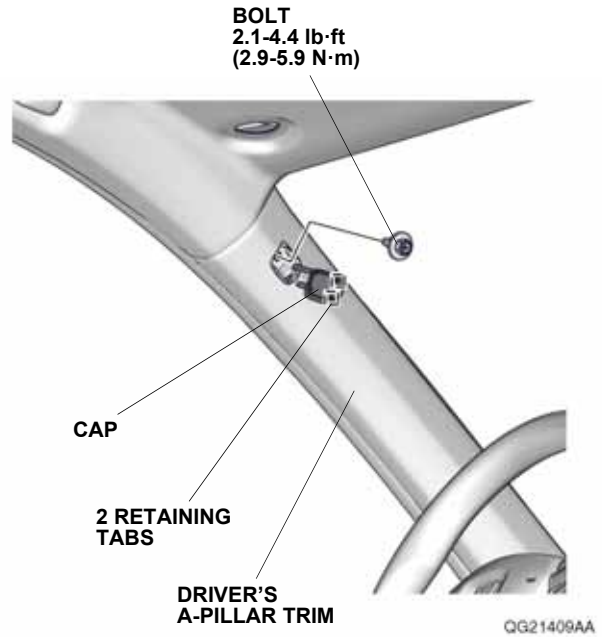
NOTE: If the retaining tab does not stay pushed in, return the sunvisor to its original position and repeat this step.



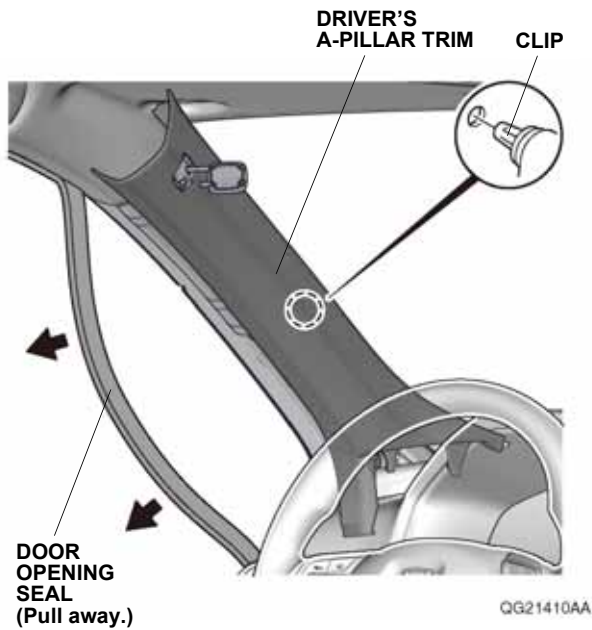
7. Remove the driver's sunvisor holder by rotating it 45° counterclockwise.



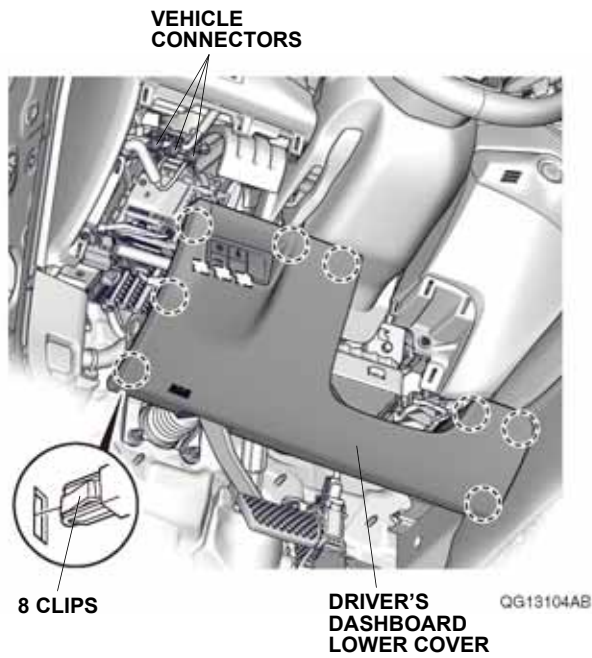
8. Open the cap, and remove the bolt from the driver's A-pillar trim.



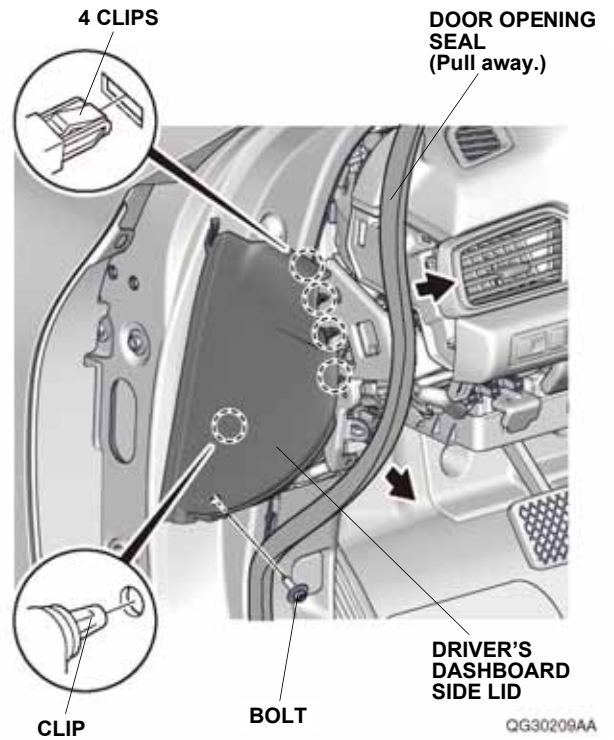
9. Pull away the door opening seal and remove the driver's A-pillar trim.



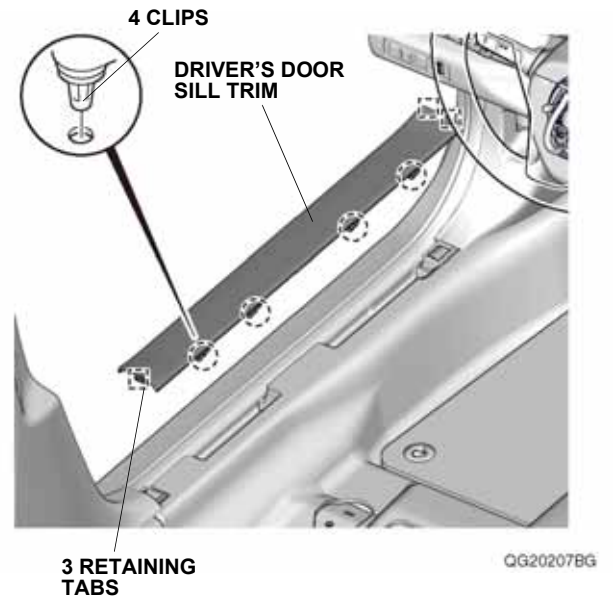
10. Remove the driver's dashboard lower cover and unplug the vehicle connectors.



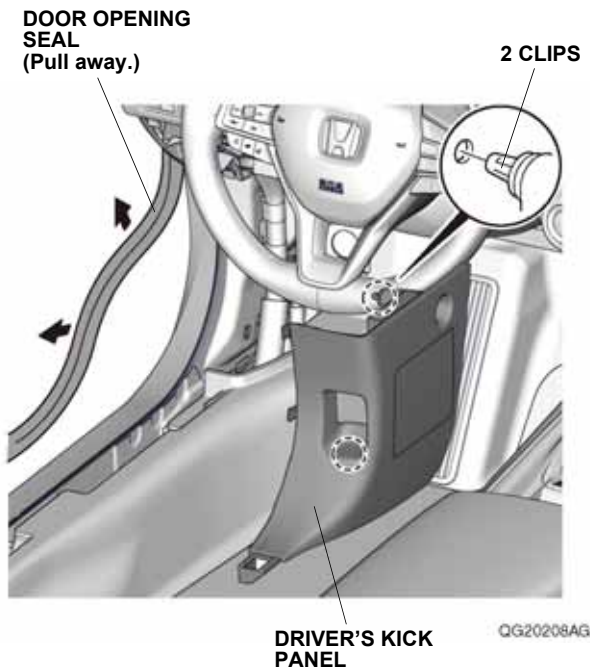
11. Pull away the door opening seal and remove the driver's dashboard side lid.



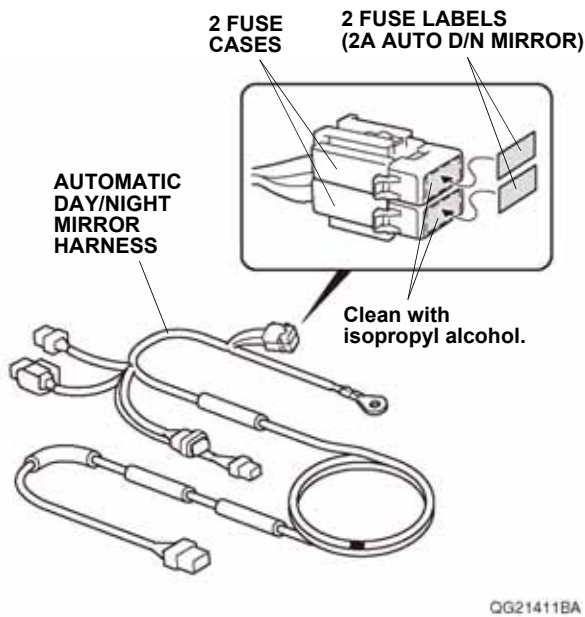
12. Remove the driver's door sill trim.



- Pull away the door opening seal and remove the driver's kick panel.



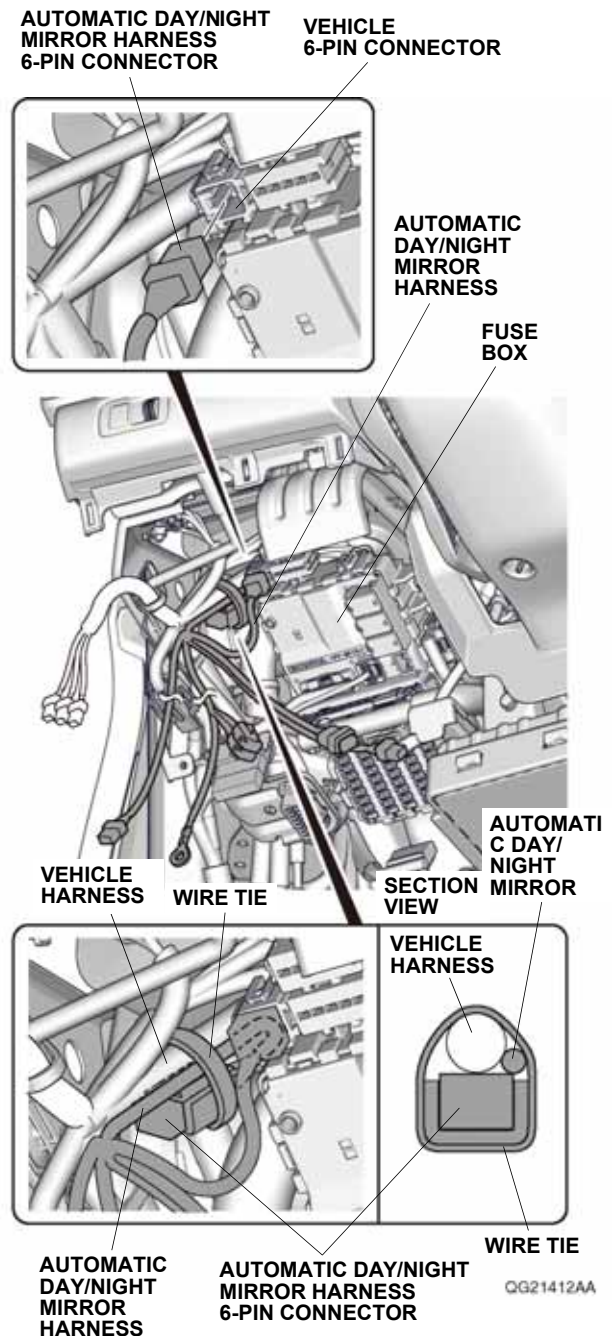
- Using isopropyl alcohol on a shop towel, thoroughly clean the fuse cases where the fuse labels will attach. Attach the two fuse labels (2A AUTO D/N MIRROR) to the two fuse cases on the automatic day/night mirror harness.



If the vehicle is equipped with a wireless charger, go to step 17; if the vehicle is equipped with parking sensors, go to step 19; if the vehicle is equipped with ambient lights or puddle lights, go to step 21; if the vehicle is equipped with illuminated door sill trims, go to step 23; otherwise, continue with step 15.

### Without another accessory

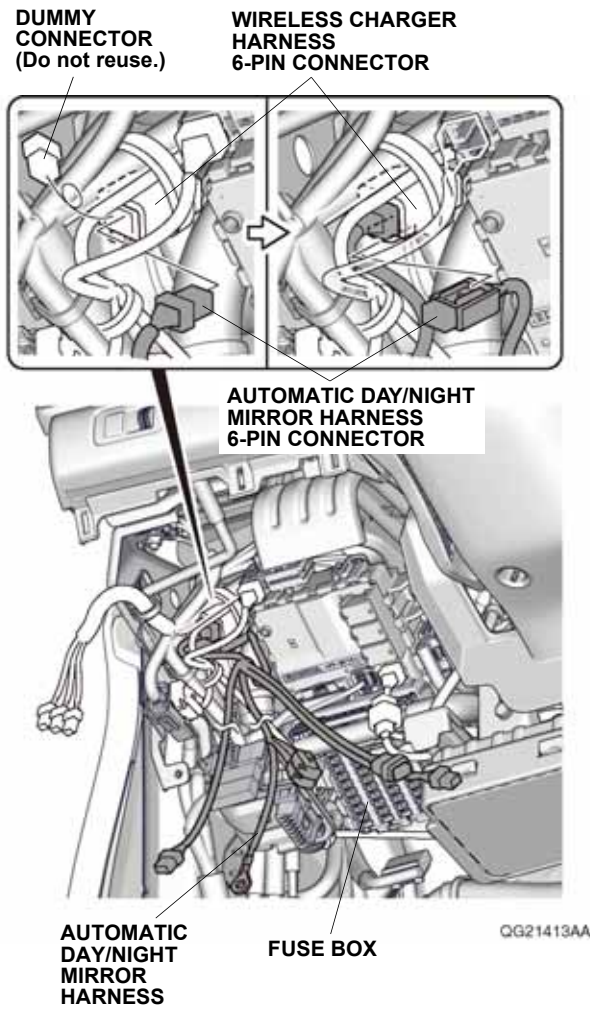
- Plug the automatic day/night mirror harness 6-pin connector into the vehicle 6-pin connector.



- Secure the automatic day/night mirror harness 6-pin connector to the vehicle harness with one wire tie as shown. Go to step 26.

### With wireless charger

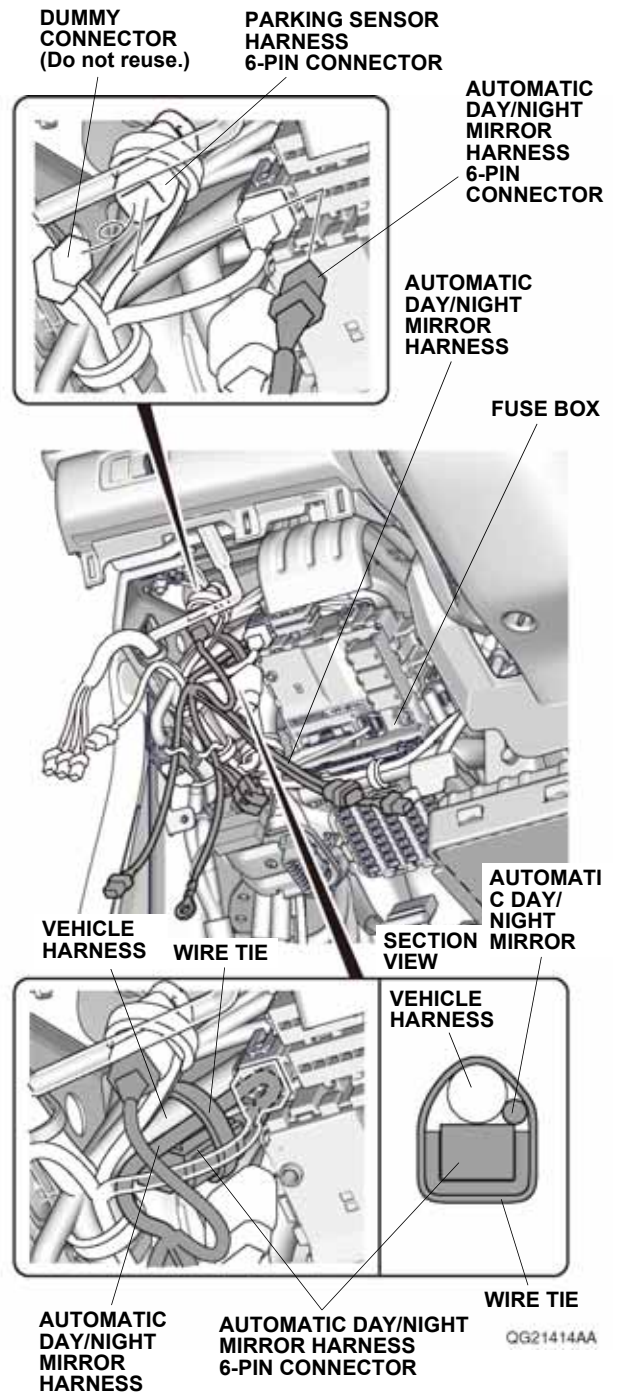
- Remove the dummy connector from the wireless charger harness 6-pin connector, and plug the automatic day/night mirror harness 6-pin connector into that connector.



- Secure the automatic day/night mirror harness 6-pin connector to the wireless charger harness 6-pin connector. Go to step 26.

### With parking sensors

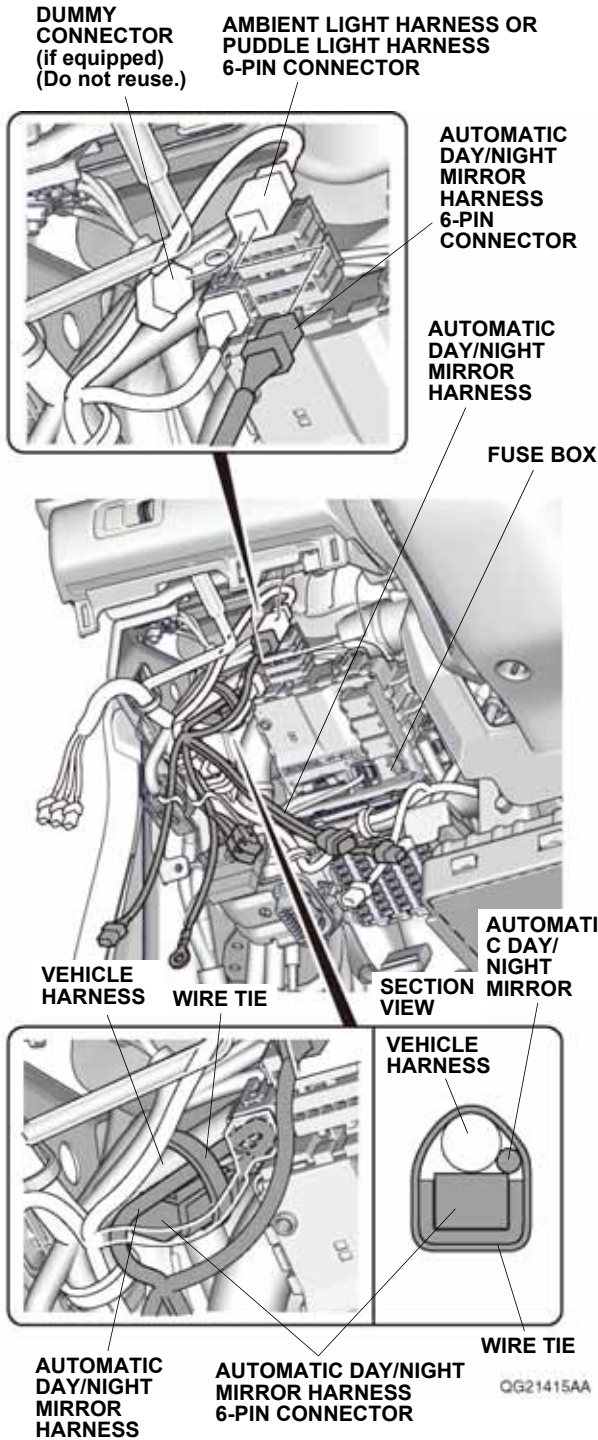
- Remove the dummy connector from the parking sensor harness 6-pin connector, and plug the automatic day/night mirror harness 6-pin connector into that connector.



- Secure the automatic day/night mirror harness 6-pin connector to the vehicle harness with one wire tie as shown. Go to step 26.

**With ambient lights or puddle lights**

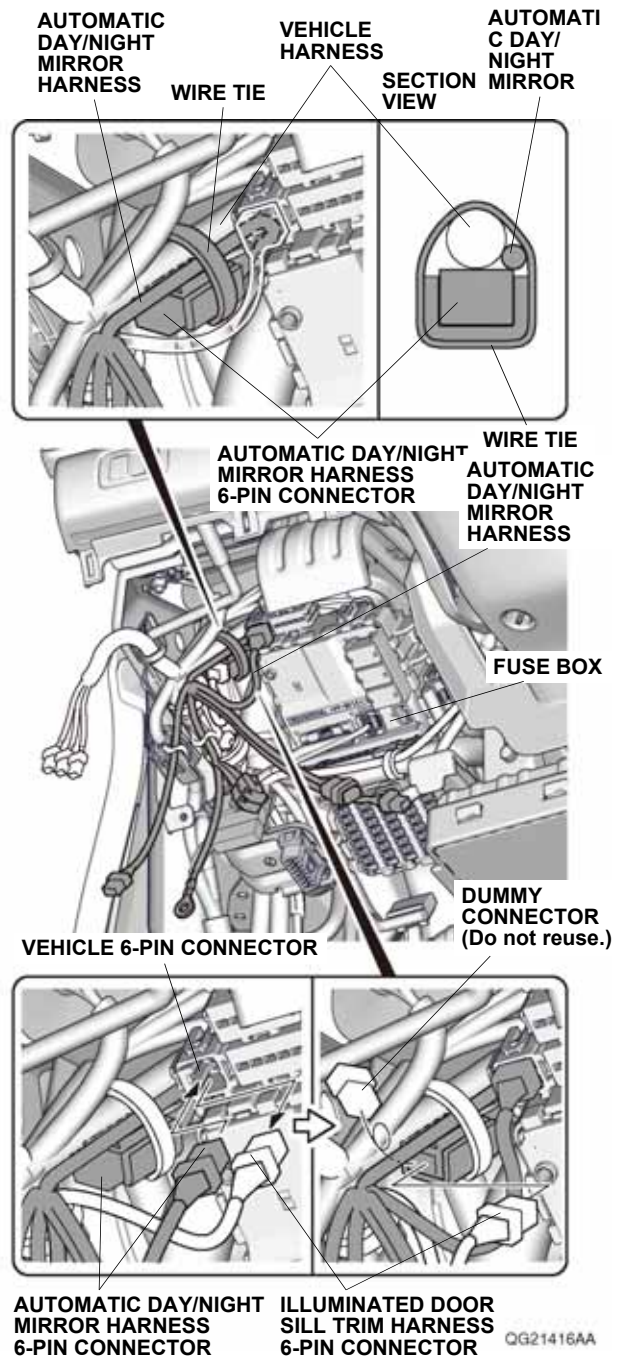
- 21. Remove the dummy connector from the ambient light harness or puddle light harness 6-pin connector, and plug the automatic day/night mirror harness 6-pin connector into that connector.



- 22. Secure the automatic day/night mirror harness 6-pin connector to the vehicle harness with one wire tie as shown. Go to step 26.

**With illuminated door sill trims**

- 23. Secure the automatic day/night mirror harness 6-pin connector to the vehicle harness with one wire tie as shown.



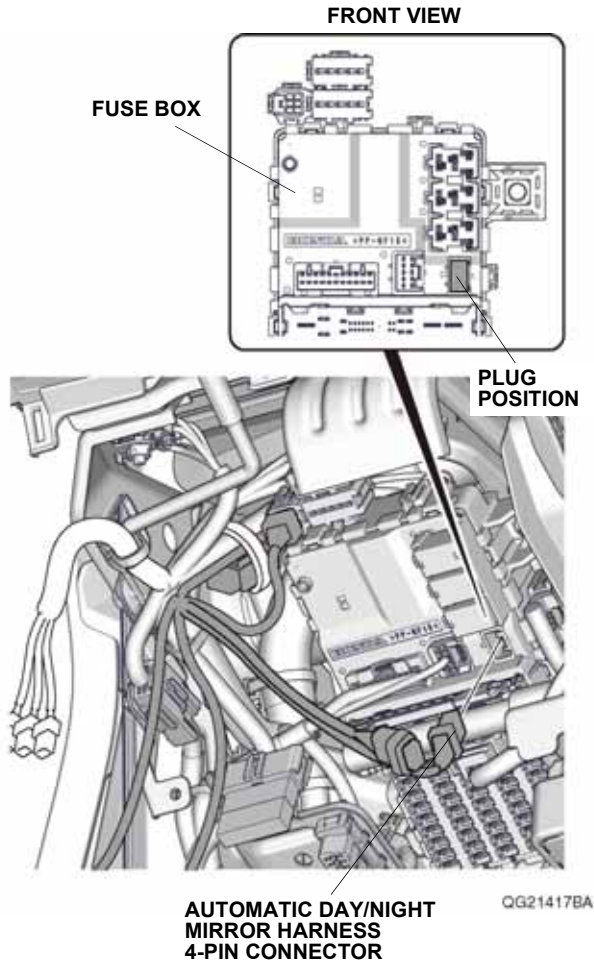
- 24. Unplug the illuminated door sill trim harness 6-pin connector, and plug the automatic day/night mirror harness 6-pin connector into the vehicle 6-pin connector.
- 25. Remove the dummy connector from the automatic day/night mirror harness 6-pin connector, and plug the illuminated door sill trim harness 6-pin connector into that connector.



If the vehicle is equipped with the another accessory harness 4-pin connector, go to step 27; otherwise, continue with step 26.

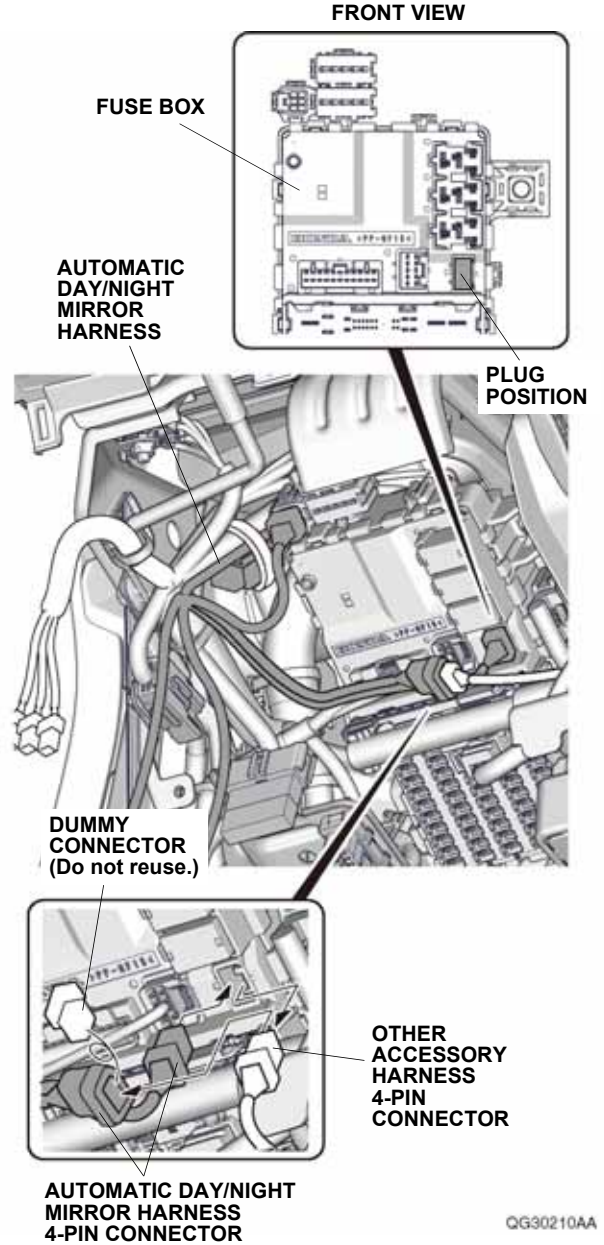
**Without another accessory harness 4-pin connector**

26. Plug the automatic day/night mirror harness 4-pin connector into the fuse box. Go to step 28.

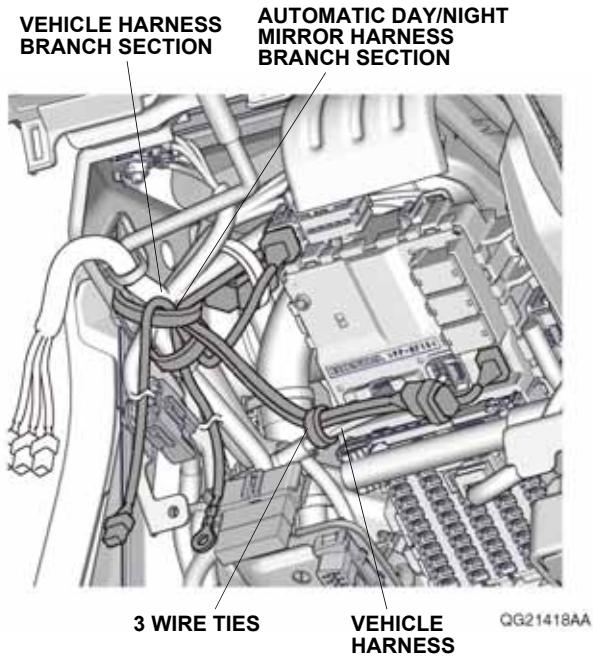


**With another accessory harness 4-pin connector**

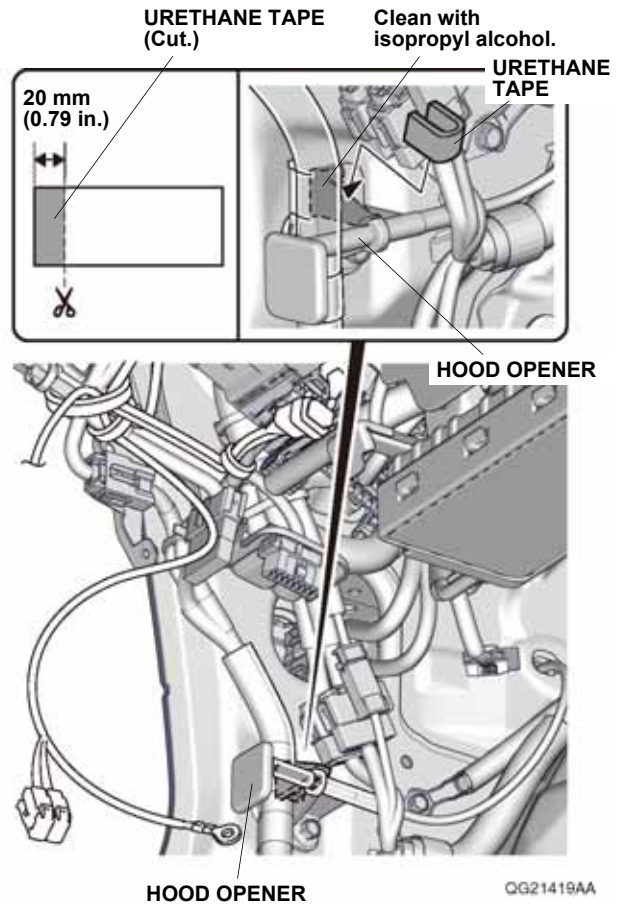
27. Unplug the other accessory harness 4-pin connector from the fuse box, and plug in the automatic day/night mirror harness. Then, remove the dummy connector from the automatic day/night mirror harness 4-pin connector, and plug the other accessory harness 4-pin connector into that connector.



28. Secure the automatic day/night mirror harness to the vehicle harness with three wire ties.

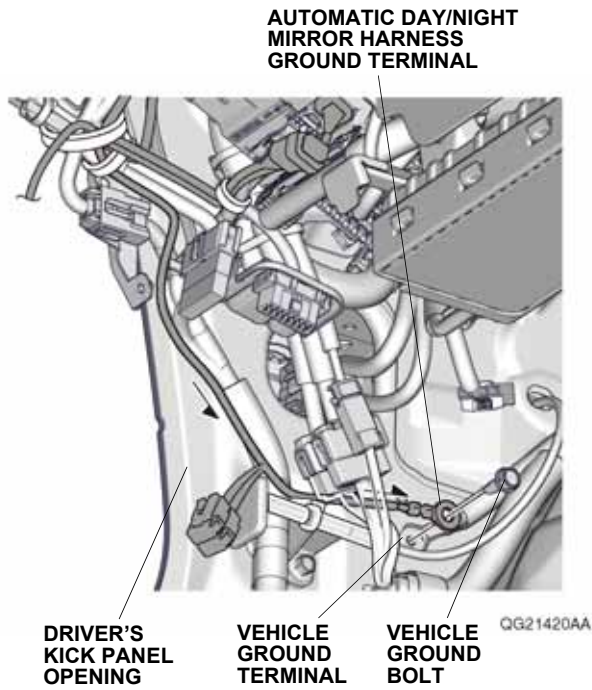


29. Using isopropyl alcohol on a shop towel, thoroughly clean the hood opener where the urethane tape will attach.



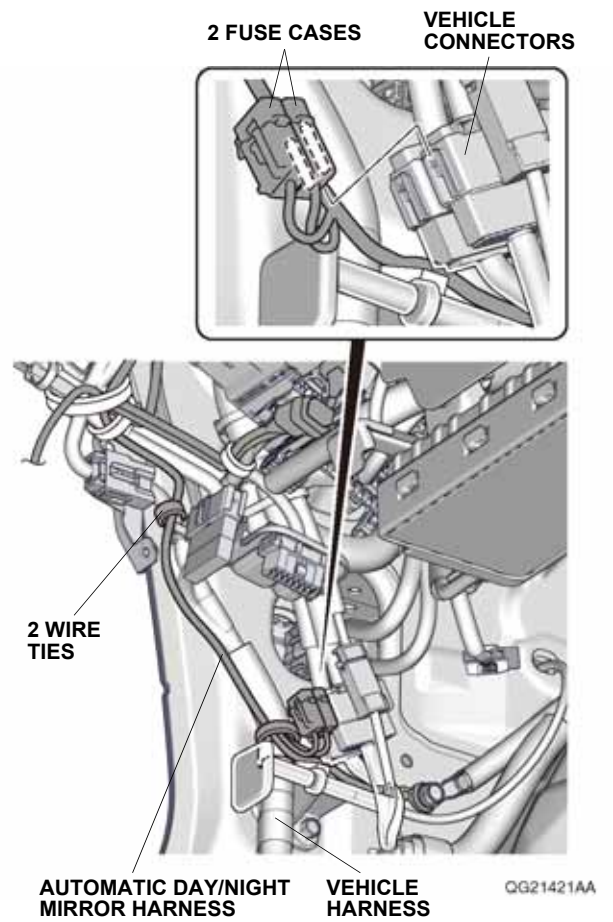
30. Using scissors, cut the urethane tape as shown and attach the 20 mm piece of urethane tape to the hood opener as shown.

31. Route the automatic day/night mirror harness as shown.



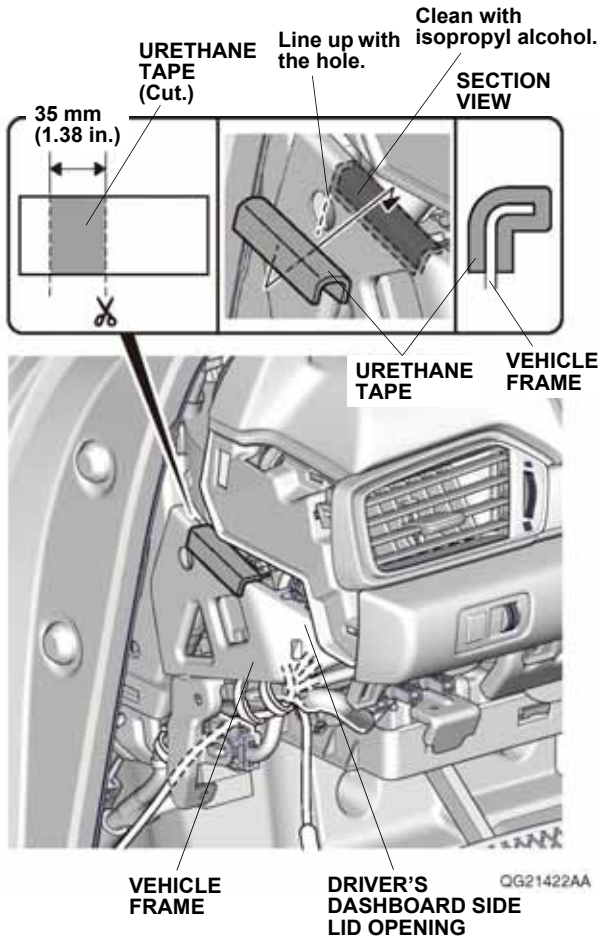
32. Remove the vehicle ground bolt. Secure the automatic day/night mirror harness ground terminal and the vehicle ground terminal with the bolt just removed.
- NOTE: Do not put the ground terminal caulking on top of one another.

33. Secure the fuse cases on the automatic day/night mirror harness to the vehicle connector.



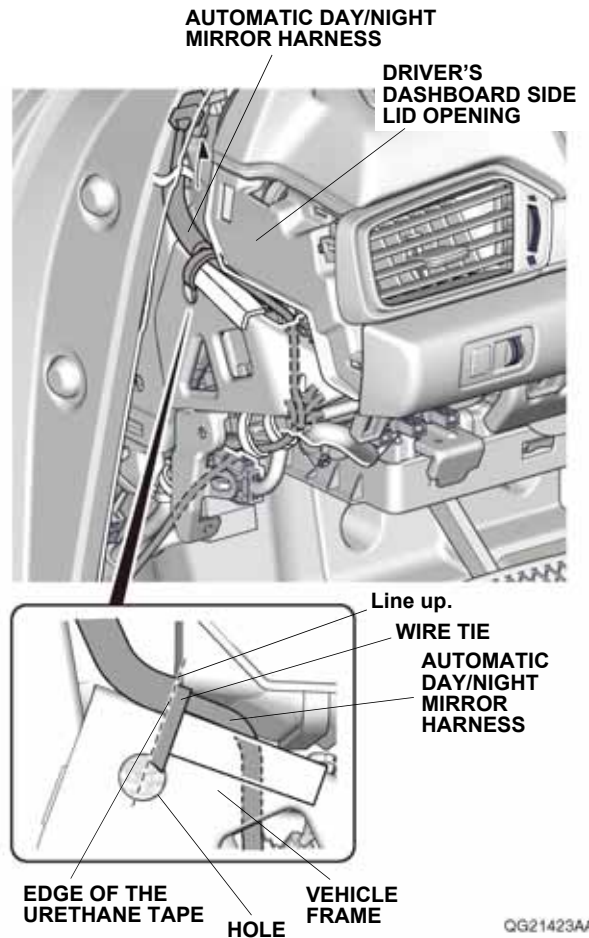
34. Secure the automatic day/night mirror harness to the vehicle harness with two wire ties.

35. Using isopropyl alcohol on a shop towel, thoroughly clean the vehicle frame where the urethane tape will attach.

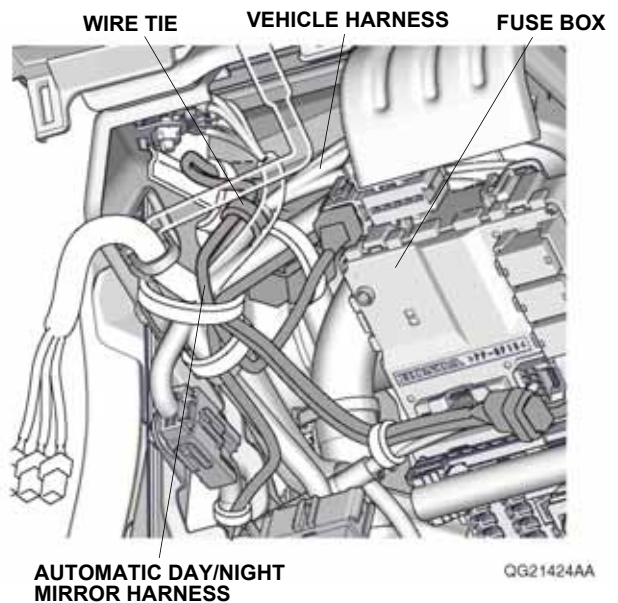


36. Using scissors, cut the urethane tape remaining from step 30 and attach the 35 mm cut piece of urethane tape to the vehicle frame as shown.

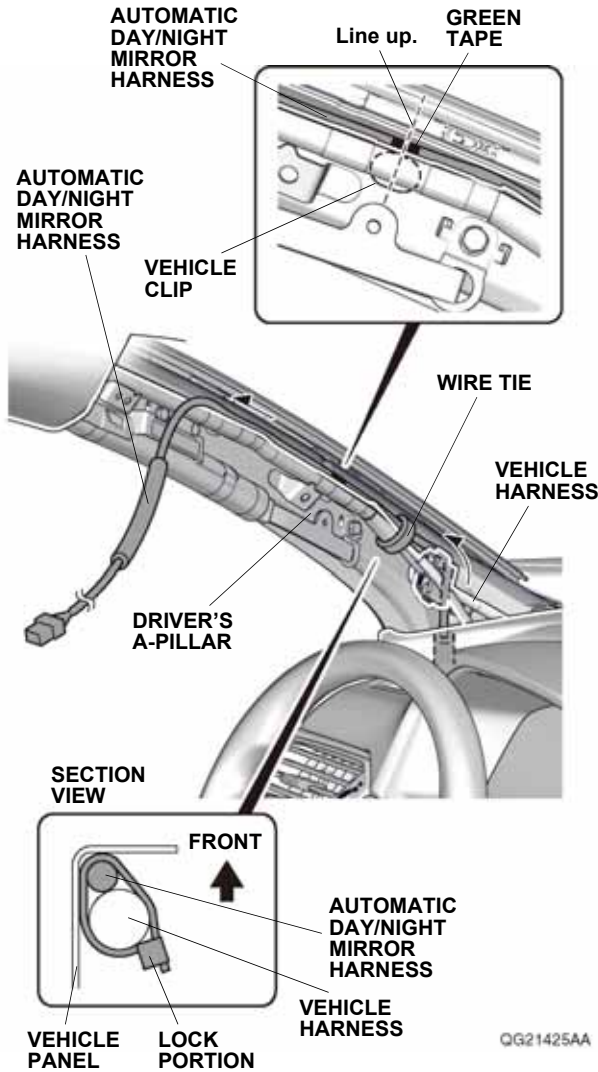
37. Route the automatic day/night mirror harness upward, and secure it to the vehicle frame with one wire tie as shown.



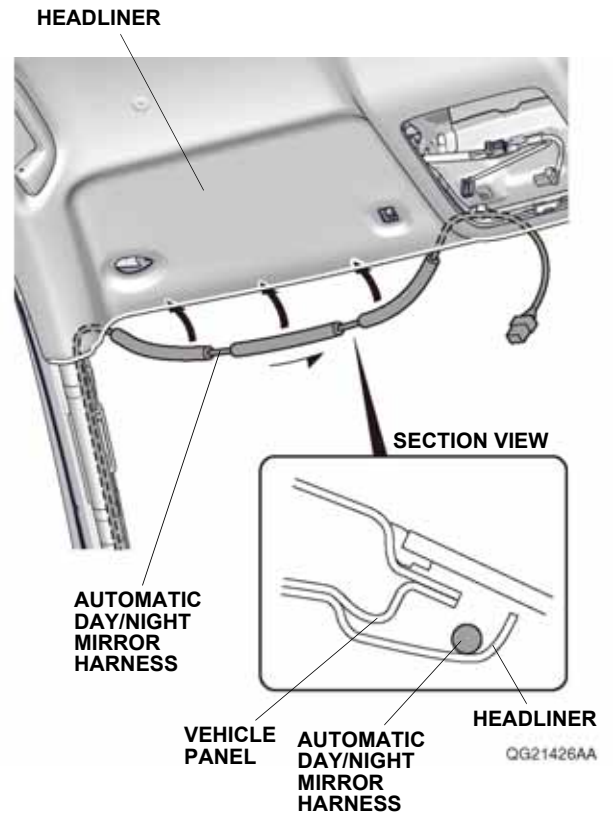
38. Secure the automatic day/night mirror harness to the vehicle harness with one wire tie.



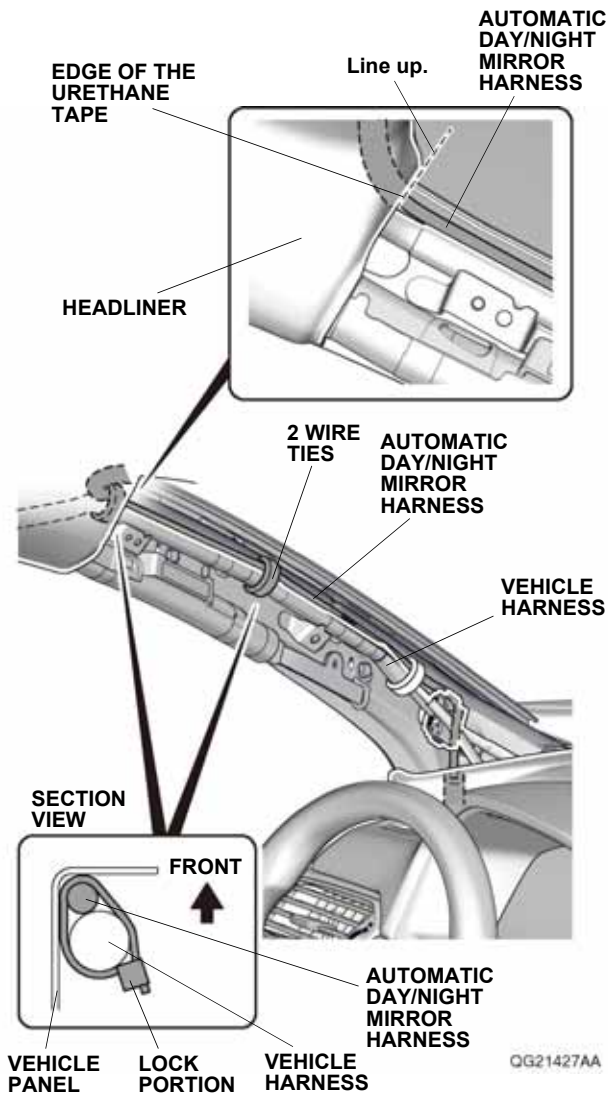
39. Route the automatic day/night mirror harness behind the vehicle harness. Line up the green tape on the automatic day/night mirror harness with the vehicle clip, and secure the automatic day/night mirror harness to the vehicle harness with one wire tie as shown.



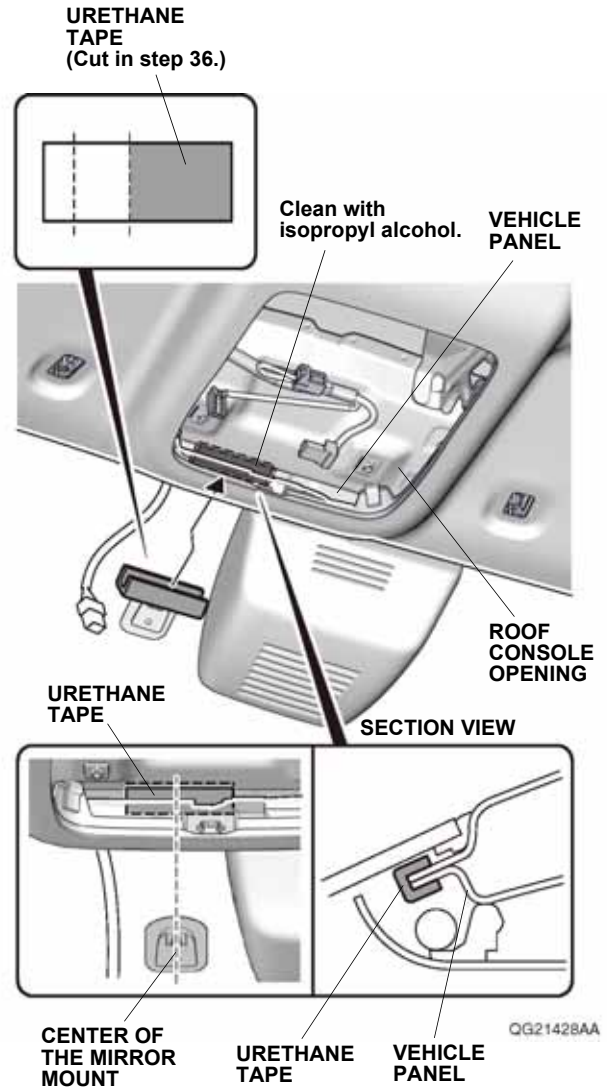
40. Route the automatic day/night mirror harness along the driver's A-pillar. Gently pull back the headliner, and tuck the automatic day/night mirror harness behind the headliner. NOTE: Be careful not to crease the headliner.



41. Secure the automatic day/night mirror harness to the vehicle harness with two wire ties as shown.

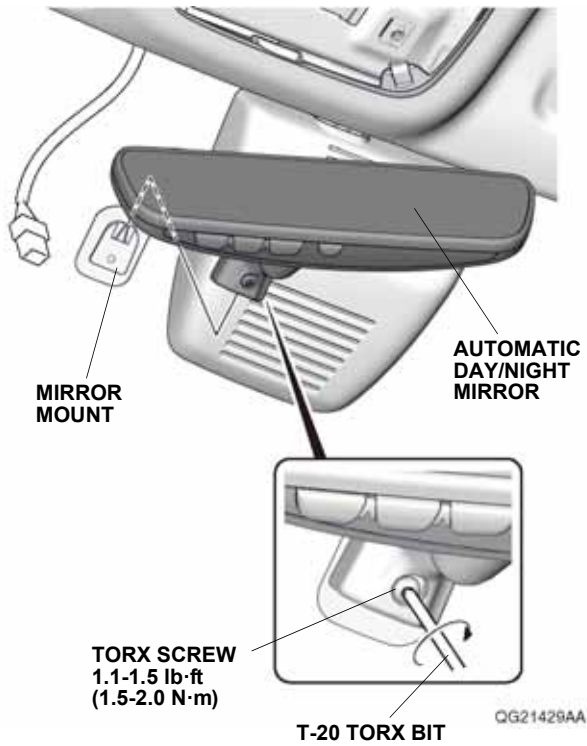


42. Using isopropyl alcohol on a shop towel, thoroughly clean the vehicle panel where the urethane tape will attach.

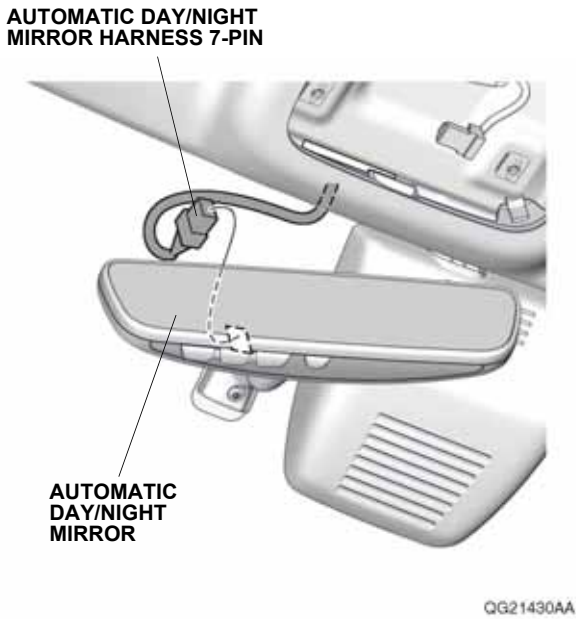


43. Attach the urethane tape cut in step 36 to the vehicle panel as shown.  
NOTE: Be careful not to crease the headliner.

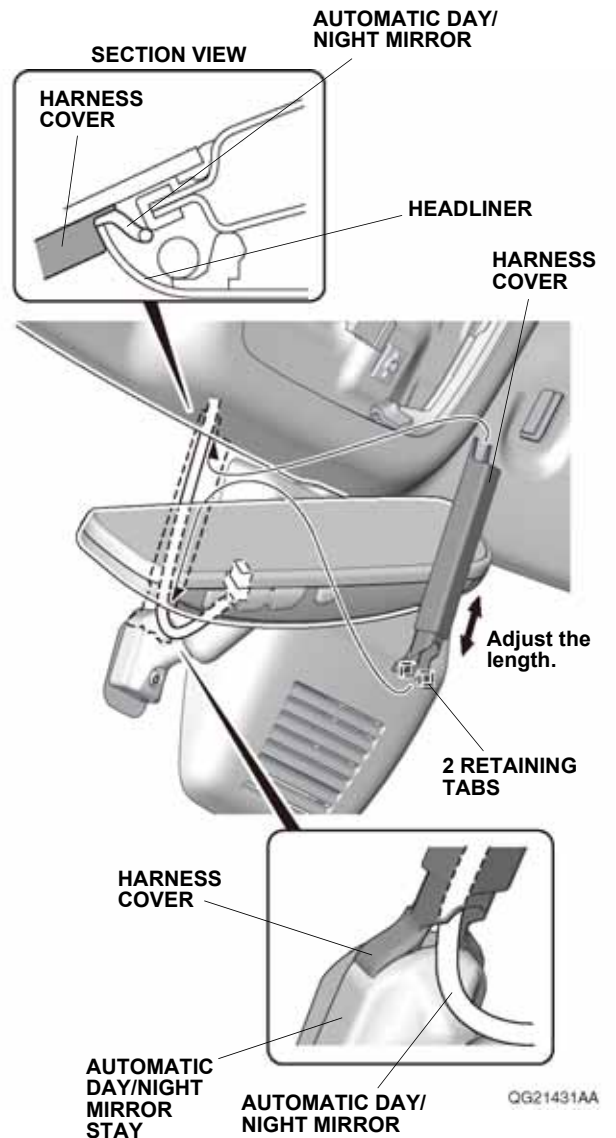
44. Install the automatic day/night mirror to the mirror mount as shown. Torque the TORX screw to 1.1-1.5 lb-ft (1.5-2.0 N-m).



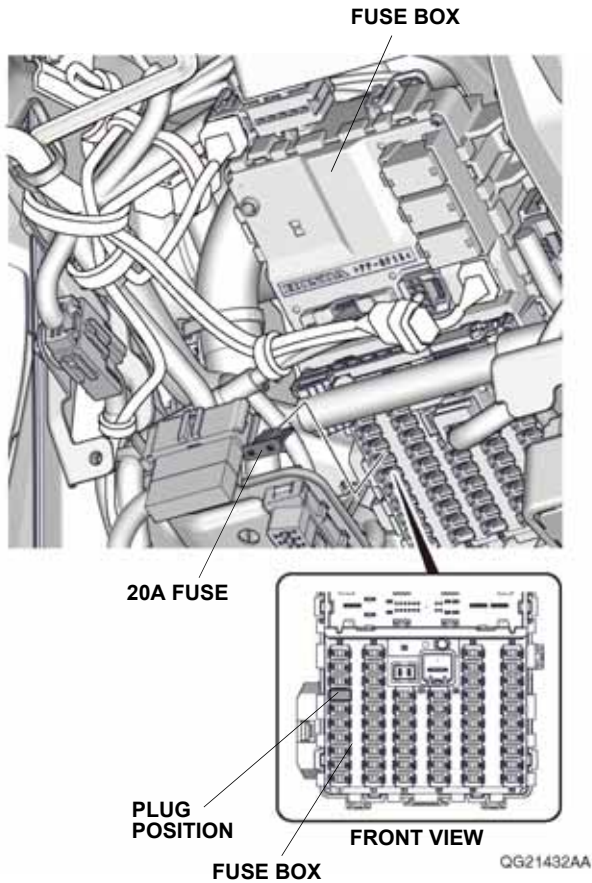
45. Plug the automatic day/night mirror harness 7-pin connector into the automatic day/night mirror.



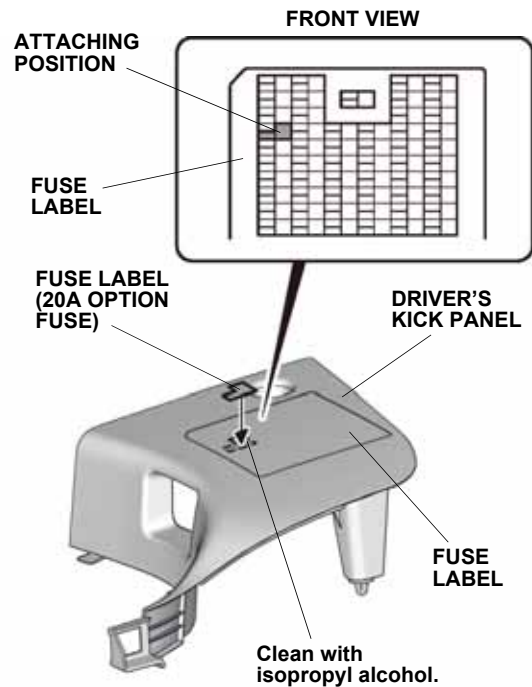
46. Route the automatic day/night mirror harness through the groove in the harness cover, and secure the harness cover to the automatic day/night mirror stay with the two retaining tabs. Slide the harness cover behind the headliner.



47. Plug the 20A fuse into the fuse box.  
 NOTE: If a 20A fuse is already installed in the fuse box as shown, go to step 49; otherwise, plug the 20A fuse into the fuse box.



48. Using isopropyl alcohol on a shop towel, thoroughly clean the fuse label where the fuse label will attach. Attach the fuse label (20A OPTION FUSE) to the fuse label on the driver's kick panel as shown.



QG21433AA

49. Check that all wire harnesses are routed properly and all connectors are plugged in.  
 50. Install all removed parts.  
 51. Connect the negative cable to the battery.  
 52. Press and hold the audio unit power button for 2 seconds to restore the audio and navi (if equipped) system functions.  
 53. Set the clock on vehicles without navigation.  
 54. If necessary, restore the system back to normal operation as described in the service information.

#### Check the Operation of the Automatic Day/Night Mirror

55. Check that the automatic day/night mirror functions properly as described in the online owner's manual.